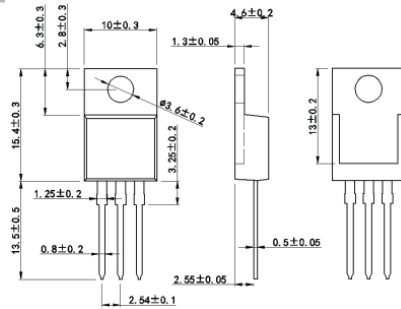
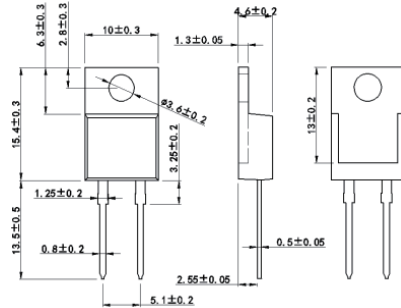
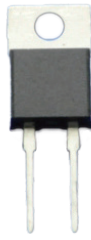


### TO-220AB Fast Recovery Diode (Three Pins)



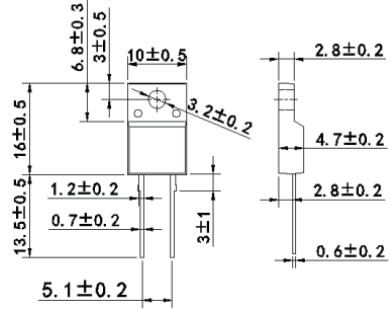
Specifications	Average Rectified Current I <sub>o</sub> /A	Peak Repetitive Reverse Voltage VRRM/V	Typical Forward Voltage Drop VF/V	Maximum Reverse Current IR/uA	Typical Reverse Recovery Time TRR/ns	Minimal Peak Forward Surge Current IFSM/A
S2FD8C60	8	600	2	10	20	100
S2FD8C60 B	8	600	3	10	16	100
S2FD10C20	10	200	0.9	10	25	120
S2FD10C40	10	400	1.1	10	30	120
S2FD10C60	10	600	1.5	10	30	100
S2FD16C20	16	200	1.1	10	20	100
S2FD16C30	16	300	1.2	10	30	120
S2FD16C40	16	400	1.2	10	30	120
S2FD16C60	16	600	2	10	20	100
S2FD20C20	20	200	0.95	10	30	150
S2FD20C20 B	20	200	1	10	20	150
S2FD20C30	20	300	1.1	10	30	150
S2FD20C40	20	400	1.1	10	30	150
S2FD20C60	20	600	1.7	10	30	150
S2FD30C40	30	400	1.1	10	40	200
S2FD30C40 B	30	400	1.7	10	25	150
S2FD10C20 C	10	200	1.1	5	20	100
S2FD10C40 C	10	400	1.3	5	30	100
S2FD16C20 L	16	200	1.2	5	20	100
S2FD20C20 L	20	200	1.2	5	20	100
S2FD20C20 LA	20	200	0.95	5	30	150
S2FD16C60 C	16	600	1.4	5	30	100
S2FD20C40 C	20	400	1.4	5	30	140
S2FD20C60 C	20	600	1.9	5	30	140

### TO-220 AC Fast Recovery Diode (Two Pins)



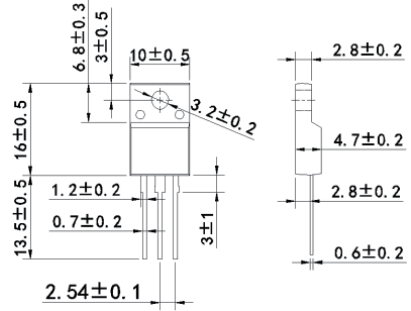
Specifications	Average Rectified Current I <sub>o</sub> /A	Peak Repetitive Reverse Voltage VRRM/V	Typical Forward Voltage Drop V <sub>F</sub> /V	Maximum Reverse Current I <sub>R</sub> /μA	Typical Reverse Recovery Time TRR/ns	Minimal Peak Forward Surge Current I <sub>FSM</sub> /A
S1FD8C60	8	600	2	10	20	100
S1FD8C60B	8	600	3	10	15	100
S1FD8C120	8	1200	3	10	60	100
S1FD15C60	15	600	1.8	10	32	200
S1FD15C60B	15	600	2.3	10	20	180
S1FD15C120	15	1200	2	10	60	200
S1FD20C60	20	600	1.2	10	45	240
S1FD20C60B	20	600	1.8	10	35	200
S1FD20C120	20	1200	2.5	10	65	240
S1FD30C40	30	400	1.05	10	55	400
S1FD30C60	30	600	2	10	35	400
S1FD30C120	30	1200	2.8	10	65	400
S1FD8C120 U	8	1200	2.4	10	35	100
S1FD15C120 U	15	1200	2.8	10	38	200
S1FD30C120 U	30	1200	2.6	10	50	400
S1FD8C60 C	8	600	1.8	5	30	100
S1FD10C40 C	10	400	1.6	5	30	100
S1FD10C60 C	10	600	2	5	30	140
S1FD15C60 C	15	600	2.1	5	30	180
S1FD15C70 C	15	700	2.2	5	30	180
S1FD20C40 C	20	400	2.3	5	30	190
S1FD20C60 C	20	600	2.4	5	30	190

### TO-220AC/F Fast Recovery Diode (Two Pins)



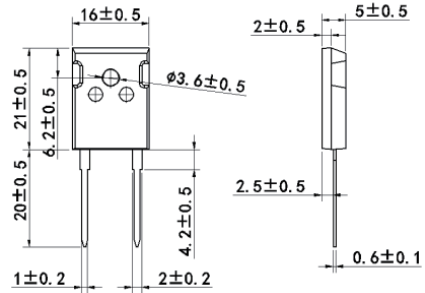
Specifications	Average Rectified Current I <sub>o</sub> /A	Peak Repetitive Reverse Voltage VRRM/V	Typical Forward Voltage Drop V <sub>F</sub> /V	Maximum Reverse Current I <sub>R</sub> /μA	Typical Reverse Recovery Time T <sub>RR</sub> /ns	Minimal Peak Forward Surge Current I <sub>FSM</sub> /A
S1FD8C60 F	8	600	2	10	20	100
S1FD8C60 BF	8	600	3	10	15	100
S1FD8C120 F	8	1200	3	10	60	100
S1FD10C60 F	10	600	1.2	10	45	200
S1FD10C60 BF	10	600	1.6	10	25	150
S1FD15C60 F	15	600	1.8	10	32	200
S1FD15C60 BF	15	600	2.3	10	20	180
S1FD15C120 F	15	1200	2	10	60	200
S1FD20C60 F	20	600	1.2	10	45	240
S1FD20C60 BF	20	600	1.8	10	35	200
S1FD20C120 F	20	1200	2.5	10	65	240
S1FD30C60 F	30	600	2	10	35	400
S1FD30C120 F	30	1200	2.8	10	65	400
S1FD8C60 LF	8	600	1.8	5	30	100
S1FD10C60 CF	10	600	2	5	30	140
S1FD15C120 LF	15	1200	3	5	50	200
S1FD16C60 CF	16	600	2.2	5	30	180
S1FD20C60 CF	20	600	2.4	5	30	190

### TO-220AB/F Fast Recovery Diode (Three Pins)



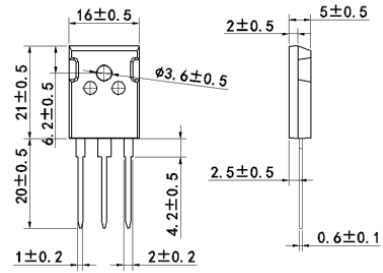
Specifications	Average Rectified Current I <sub>o</sub> /A	Peak Repetitive Reverse Voltage VRRM/V	Typical Forward Voltage Drop VF/V	Maximum Reverse Current IR/uA	Typical Reverse Recovery Time TRR/ns	Minimal Peak Forward Surge Current IFSM/A
S2FD8C60 F	8	600	2	5	20	100
S2FD8C60 BF	8	600	3	5	16	100
S2FD10C20 F	10	200	0.9	5	25	120
S2FD10C40 F	10	400	1.1	5	30	120
S2FD10C60 F	10	600	1.5	5	30	100
S2FD16C20 F	16	200	1.1	5	20	100
S2FD16C30 F	16	300	1.2	5	30	120
S2FD16C40 F	16	400	1.2	5	30	120
S2FD16C60 F	16	600	2	5	20	100
S2FD10C20 CF	10	200	1.1	5	20	100
S2FD10C40 CF	10	400	1.3	5	30	100
S2FD16C20 LF	16	200	1.2	5	20	100
S2FD20C20 LF	20	200	1.2	5	20	100
S2FD20C40 LF	20	400	2.5	5	17	100
S2FD20C20 F	20	200	0.95	10	30	150
S2FD20C20 BF	20	200	1	10	20	150
S2FD20C30 F	20	300	1.1	10	30	150
S2FD20C40 F	20	400	1.1	10	30	150
S2FD20C60 F	20	600	1.7	10	30	150
S2FD30C40 F	30	400	1.1	10	40	200
S2FD30C40 BF	30	400	1.7	10	25	150
S2FD10C20 CF	10	200	1.1	5	20	100
S2FD10C40 CF	10	400	1.3	5	30	100
S2FD16C20 LF	16	200	1.2	5	20	100
S2FD20C20 LF	20	200	1.2	5	20	100
S2FD20C40 LF	20	400	2.5	5	17	100

### TO-247AC Fast Recovery Diode (Two Pins)



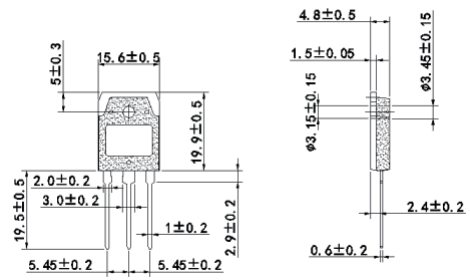
Specifications	Average Rectified Current I <sub>o</sub> /A	Peak Repetitive Reverse Voltage VRRM/V	Typical Forward Voltage Drop VF/V	Maximum Reverse Current I <sub>R</sub> /uA	Typical Reverse Recovery Time TRR/ns	Minimal Peak Forward Surge Current IFSM/A
S1FD15A60 H	15	600	1.8	10	32	200
S1FD15A120 H	15	1200	2	10	60	200
S1FD30A40 H	30	400	1.05	10	55	400
S1FD30A60 H	30	600	2	10	35	400
S1FD3060 S	30	600	2	10	30	400
S1FD30A120 H	30	1200	2.8	10	65	400
S1FD30A120 S	30	1200	2.6	10	50	400
S1FD60A40 H	60	400	0.95	10	38	400
S1FD60A60 S	60	600	2.4	10	35	600
S1FD60A60 BH	60	600	2	10	35	600
S1FD60A60 H	60	600	1.6	10	50	600
S1FD60A120 H	60	1200	2.8	10	80	600
S1FD60A120 DH	60	1200	2.2	10	65	600
S1FD75A60	75	600	1.4	10	80	600
S1FD75A60	75	600	2.5	10	35	600
S1FD75A60 H	75	600	1.8	10	50	600
S1FD75A120 H	75	1200	3	10	80	600
S1FD75A60	75	600	1.4	5	80	600
S1FD75A60 S	75	600	2.5	5	35	600
S1FD60A60 S	60	600	2.4	5	35	600
S1FD30A60 S	30	600	2	5	30	400
S1FD60A40	60	400	0.95	5	38	600
S1FD30A120 S	30	1200	2.6	5	50	400
S1FD60A120 DH	60	1200	2.2	5	65	600

### TO-247AB Fast Recovery Diode (Three Pins)



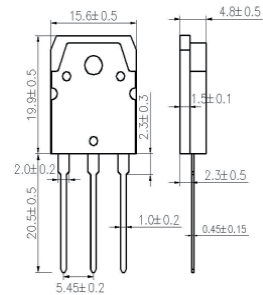
Specifications	Average Rectified Current I <sub>o</sub> /A	Peak Repetitive Reverse Voltage VRRM/V	Typical Forward Voltage Drop V <sub>F</sub> /V	Maximum Reverse Current I <sub>R</sub> /μA	Typical Reverse Recovery Time T <sub>RR</sub> /ns	Minimal Peak Forward Surge Current I <sub>FSM</sub> /A
S2FD20A20	20	200	0.98	10	20	150
S2FD30A20	30	200	1.1	10	25	200
S2FD30A40	30	400	1.1	10	45	200
S2FD30A40 B	30	400	1.3	10	30	150
S2FD30A60	30	600	1.3	10	40	200
S2FD30A60 B	30	600	2.1	10	30	200
S2FD30A120	30	1200	2	10	60	200
S2FD40A20	40	200	1	10	30	240
S2FD40A30	40	300	1.1	10	45	240
S2FD60A20 A	60	200	1	10	35	300
S2FD60A20 B	60	200	0.95	10	35	300
S2FD60A30	60	300	1	10	60	300
S2FD60A30 B	60	300	0.97	10	43	300
S2FD60A60	60	600	1.3	10	80	300
S2FD60A120	60	1200	2.8	10	65	400
S2FD80A20	80	200	1.2	10	60	300
S2FD80A40	80	400	1.3	10	60	400
S2FD80A60	80	600	1.4	10	60	400

### TO-3PAB Fast Recovery Diode (Three Pins)



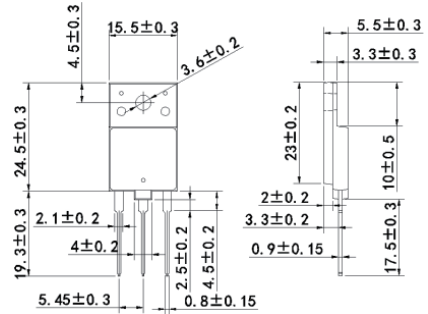
Specifications	Average Rectified Current I <sub>o</sub> /A	Peak Repetitive Reverse Voltage VRRM/V	Typical Forward Voltage Drop VF/V	Maximum Reverse Current IR/uA	Typical Reverse Recovery Time TRR/ns	Minimal Peak Forward Surge Current IFSM/A
S2FD20B20	20	200	0.98	10	20	150
S2FD30B20	30	200	1.1	10	25	200
S2FD30B40	30	400	1.1	10	45	200
S2FD30B40 B	30	400	1.3	10	30	150
S2FD30B60	30	600	1.3	10	40	200
S2FD30B60 B	30	600	2.1	10	30	200
S2FD30B120	30	1200	2	10	60	200
S1FD30B60 K	30	600	1.7	10	32	300
S2FD40B20	40	200	1	10	30	240
S2FD40B30	40	300	1.1	10	45	240
S2FD60B20 A	60	200	1	10	35	300
S2FD60B20	60	200	1	10	30	240
S2FD60B20 B	60	200	0.95	10	35	300
S2FD60B30	60	300	1	10	60	300
S2FD60B30 B	60	300	0.97	10	43	300
S2FD60B60	60	600	1.3	10	80	300
S2FD60B120	60	1200	2.8	10	65	400
S2FD80B20	80	200	1.2	10	60	300
S2FD80B40	80	400	1.1	10	60	400
S2FD80B40 B	80	400	1.1	10	43	400
S2FD80B60 B	80	600	1.4	10	60	400

### TO-3PAB Fast Recovery Diode (Three Pins)



Specifications	Average Rectified Current I <sub>o</sub> /A	Peak Repetitive Reverse Voltage VRRM/V	Typical Forward Voltage Drop VF/V	Maximum Reverse Current IR/uA	Typical Reverse Recovery Time TRR/ns	Minimal Peak Forward Surge Current IFSM/A
S2FD20B20 B	20	200	1.1	5	22	120
S2FD25B20 B	25	200	1.2	5	22	120
D92-02	20	200	1.1	5	22	120

### TO-3PAB Fast Recovery Diode (Three Pins)



Specifications	Average Rectified Current I <sub>o</sub> /A	Peak Repetitive Reverse Voltage VRRM/V	Typical Forward Voltage Drop V <sub>F</sub> /V	Maximum Reverse Current I <sub>R</sub> /uA	Typical Reverse Recovery Time TRR/ns	Forward Surge Current I <sub>FSM</sub> /A
S2FD20B20 F	20	200	0.9	10	25	150
S2FD20B30 F	20	300	0.9	10	30	150
S2FD20B40 F	20	400	1.4	10	30	150
S2FD20B60 F	20	600	1.5	10	50	150
S2FD30B60 F	30	600	1.3	10	60	200
S2FD60B20 F	60	200	1	10	35	300
S2FD60B30 F	60	300	0.97	10	43	300
S2FD60B60 F	60	600	1.3	10	80	300