

### LZZBJ9-10A1 Current Transformer

#### INDOOR SINGLE-PHASE EPOXY RESIN CASTING TYPE

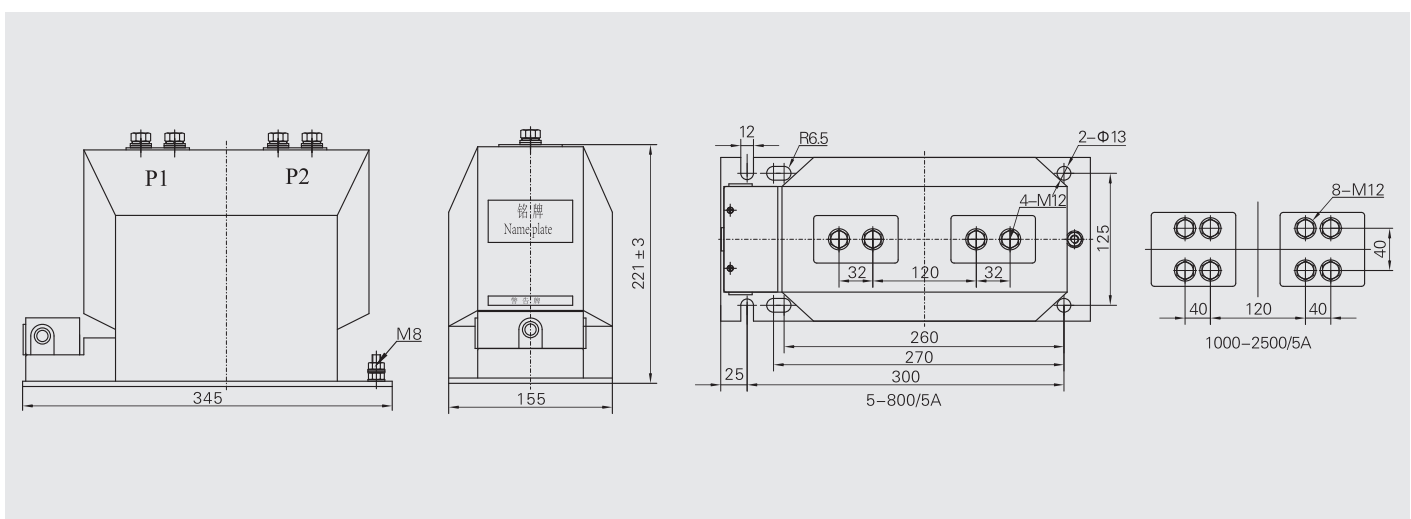
##### Technical data

- The current transformers are in accordance with GB1208 and IEC60044-1 standards
- Rated insulation level 12/42/75kV
- Rated frequency 50Hz or 60Hz
- Rated secondary current 5A or 1A
- Ambient temperature -5°C~+40°C



| Rated primary current(A) | 1s thermal current (kA) | Rated dynamic current (kA) | Accuracy classes combination  | Rated secondary output (VA) |          |       |       | Surface creepage distance (mm) | Weight (kg) |
|--------------------------|-------------------------|----------------------------|---|-----------------------------|----------|-------|-------|--------------------------------|-------------|
|                          |                         |                            |   | 0.2,0.2S                    | 0.5,0.5S | 10P10 | 10P15 |                                |             |
| 5                        | 0.75                    | 1.8                        | 0.2S/10P<br>0.2/10P<br>0.5/10P<br>0.5S/10P<br>0.2S/0.2<br>0.2S/0.5<br>0.2/0.5 | 10                          | 10       | 15    | 15    | 245                            | 21/23       |
| 10                       | 1.5                     | 3.75                       |   |                             |          |       |       |                                |             |
| 15                       | 2                       | 5                          |   |                             |          |       |       |                                |             |
| 20,25                    | 3                       | 7.5                        |   |                             |          |       |       |                                |             |
| 30                       | 5                       | 12.5                       |   |                             |          |       |       |                                |             |
| 40                       | 6.3                     | 15.8                       |   |                             |          |       |       |                                |             |
| 50,60                    | 8                       | 20                         |   |                             |          |       |       |                                |             |
| 75                       | 12.5                    | 31                         |   |                             |          |       |       |                                |             |
| 100                      | 15                      | 37.5                       |   |                             |          |       |       |                                |             |
| 150                      | 30                      | 75                         |   |                             |          |       |       |                                |             |
| 200,250                  | 45                      | 112.5                      |   |                             |          |       |       |                                |             |
| 300                      |                         |                            |   |                             |          |       |       |                                |             |
| 400                      |                         |                            |   |                             |          |       |       |                                |             |
| 500                      |                         |                            |   |                             |          |       |       |                                |             |
| 600                      |                         |                            |   |                             |          |       |       |                                |             |
| 750,800                  | 63                      | 130                        |   |                             |          |       |       |                                |             |
| 1000                     |                         |                            |   |                             |          |       |       |                                |             |
| 1200,1250                |                         |                            |   |                             |          |       |       |                                |             |
| 1500                     | 80                      | 160                        |   |                             |          |       |       |                                |             |
| 2000                     |                         |                            |   |                             |          |       |       |                                |             |
| 2500                     |                         |                            |   |                             |          |       |       |                                |             |
| 3000                     |                         |                            |   |                             |          |       |       |                                |             |
| 3150                     |                         |                            |   |                             |          |       |       |                                |             |

##### Overall dimension drawing



### LZZBJ9-12/150b/2 Current Transformer

#### INDOOR SINGLE-PHASE EPOXY RESIN CASTING TYPE

##### Technical data

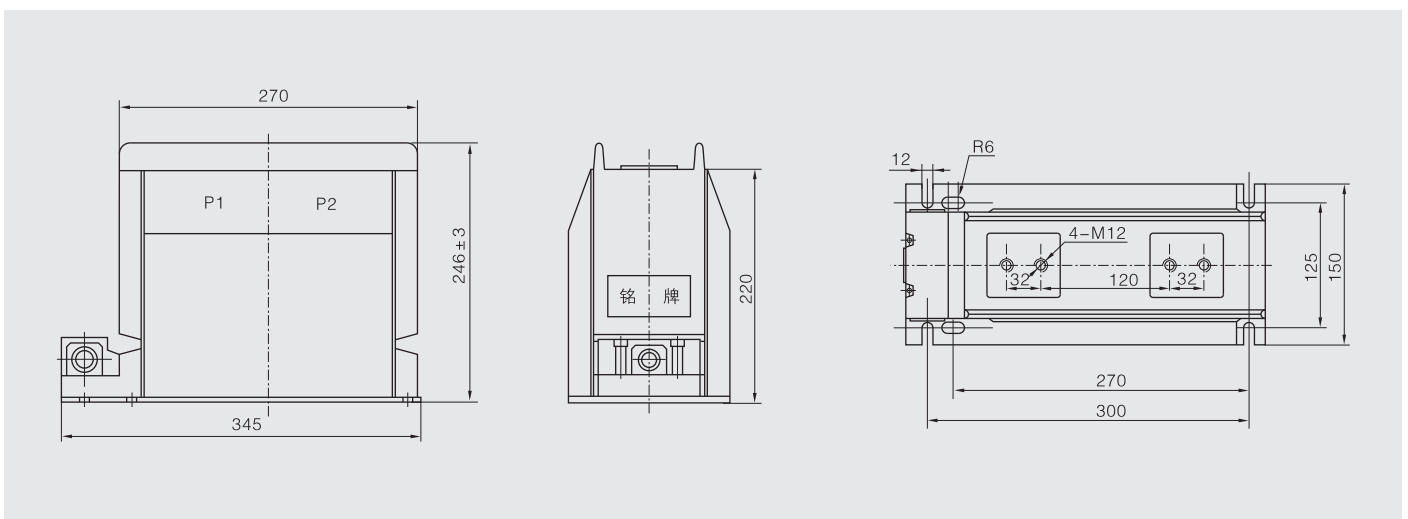
- The current transformers are in accordance with GB1208 and IEC60044-1 standards
- Rated insulation level 12/42/75kV
- Rated frequency 50Hz or 60Hz
- Rated secondary current 5A or 1A
- Ambient temperature -5°C~+40°C



| Rated primary current(A) | Accuracy classes combination | Rated secondary output (VA) |          |         | 1s thermal current (kA) | Rated dynamic current (kA) |
|--------------------------|------------------------------|-----------------------------|----------|---------|-------------------------|----------------------------|
|                          |                              | 0.2S                        | 0.2(0.5) | 10P     |                         |                            |
| 5                        | 0.2S/10P10                   | 10                          | 10       | 15*, 20 | 0.5                     | 1.25                       |
| 10                       |                              |                             |          |         | 1                       | 2.5                        |
| 15                       |                              |                             |          |         | 1.5                     | 3.75                       |
| 20                       |                              |                             |          |         | 3                       | 7.5                        |
| 25                       |                              |                             |          |         | 3.75                    | 9.3                        |
| 30                       |                              |                             |          |         | 4.5                     | 11.2                       |
| 40                       |                              |                             |          |         | 6                       | 15                         |
| 50                       |                              |                             |          |         | 7.5                     | 18.7                       |
| 75                       |                              |                             |          |         | 10                      | 25                         |
| 100                      |                              |                             |          |         | 15                      | 37.5                       |
| 150                      | 0.2/10P15                    | 10                          | 10*      | 15      | 22.5                    | 56                         |
| 200                      |                              |                             |          |         | 31.5                    | 80                         |
| 300                      | 0.5/10P10                    | 10                          | 10*      | 15      | 45                      | 112.5                      |
| 400                      |                              |                             |          |         | 63                      | 130                        |
| 500                      |                              |                             |          |         | 80                      | 110                        |
| 600                      | 0.5/10P15                    | 10                          | 15*      | 30      | 80                      | 110                        |
| 800                      |                              |                             |          |         | 100                     | 160                        |
| 1000                     |                              |                             |          |         |                         |                            |
| 1200                     |                              |                             |          |         |                         |                            |

Note: In the table, the data marked with\*are the parameters of general products.

##### Overall dimension drawing

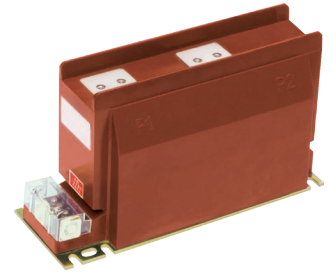


### LZZBJ9-12/150b/4 Current Transformer

#### INDOOR SINGLE-PHASE EPOXY RESIN CASTING TYPE

##### Technical data

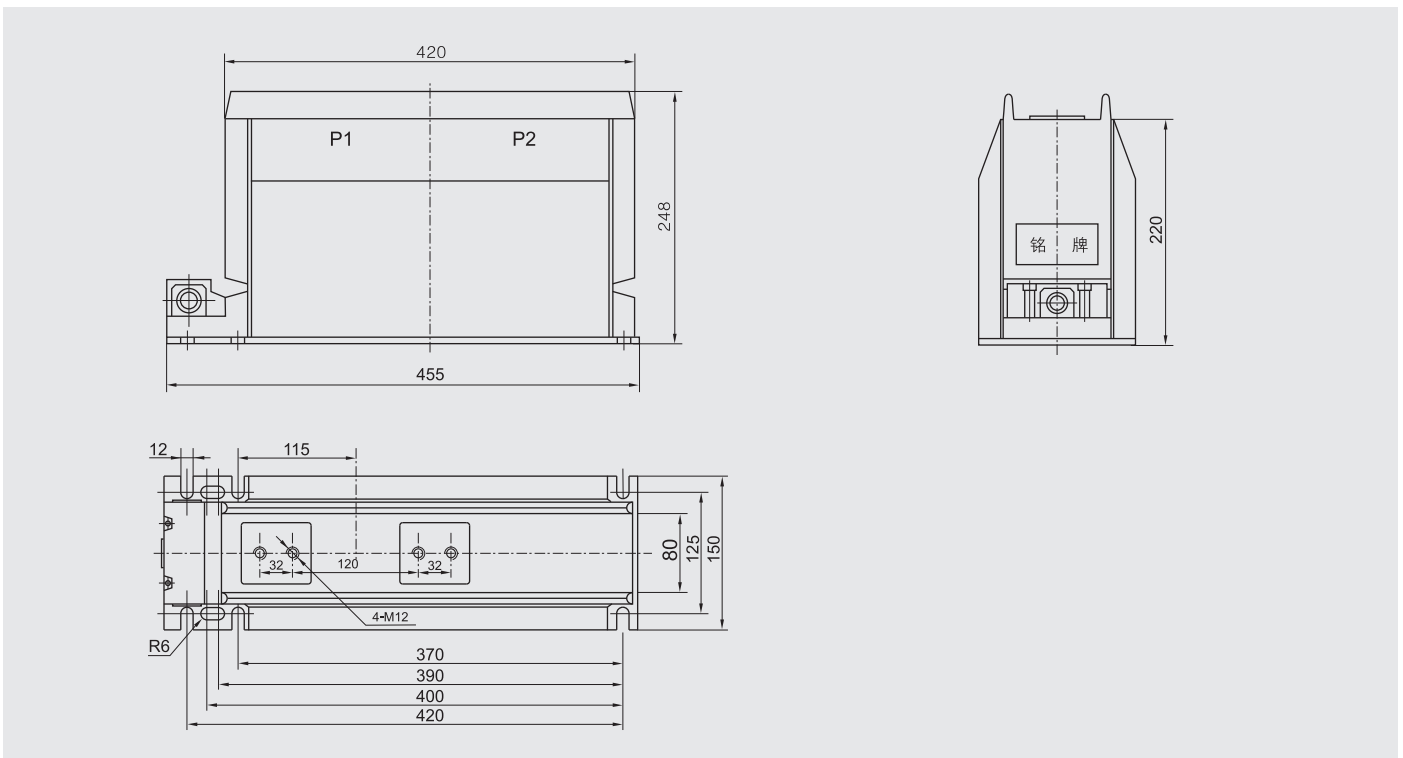
- The current transformers are in accordance with GB1208 and IEC60044-1 standards
- Rated insulation level 12/42/75kV
- Rated frequency 50Hz or 60Hz
- Rated secondary current 5A or 1A
- Ambient temperature -5°C~+40°C



| Rated primary current(A) | Accuracy classes combination                           | Rated secondary output (VA) |     |     |          |          |          | 1s thermal current (kA) | Rated dynamic current (kA) |
|--------------------------|--|-----------------------------|-----|-----|----------|----------|----------|-------------------------|----------------------------|
|                          |  | 0.2S                        | 0.2 | 0.5 | (5)10P10 | (5)10P15 | (5)10P20 |                         |                            |
| 20-100                   | 0.2(S)/10P<br>0.5/10P                                  | 10                          | 10  | 10  | 10*、30   | 15*、20   | 15*、10   | 150lin                  | 375lin                     |
| 150、200                  |  |                             |     |     |          |          |          | 31.5                    | 80                         |
| 300、400                  | 0.2(S)/0.2/5P<br>0.2(S)/0.5/5P                         |                             | 10  | 15  | 15*、30   | 20       | 15       | 45                      | 112.5                      |
| 500                      | 0.2(S)/0.5/5P20<br>0.2(S)/5P10/10P15<br>0.5/5P10/10P20 |                             |     |     |          |          |          | 63                      | 130                        |
| 600-800                  |  |                             | 15  | 20  |          |          | 15*、20   | 80                      | 160                        |
| 1000-1250                |  |                             |     |     |          |          |          |                         |                            |

Note: The data marked with\*in the table are parameters for class combination 0.2/5P10/10P15 and 0.5/5P10/10P20.

##### Overall dimension drawing



### LZJ8-10 Current Transformer

#### INDOOR SINGLE-PHASE EPOXY RESIN CASTING TYPE

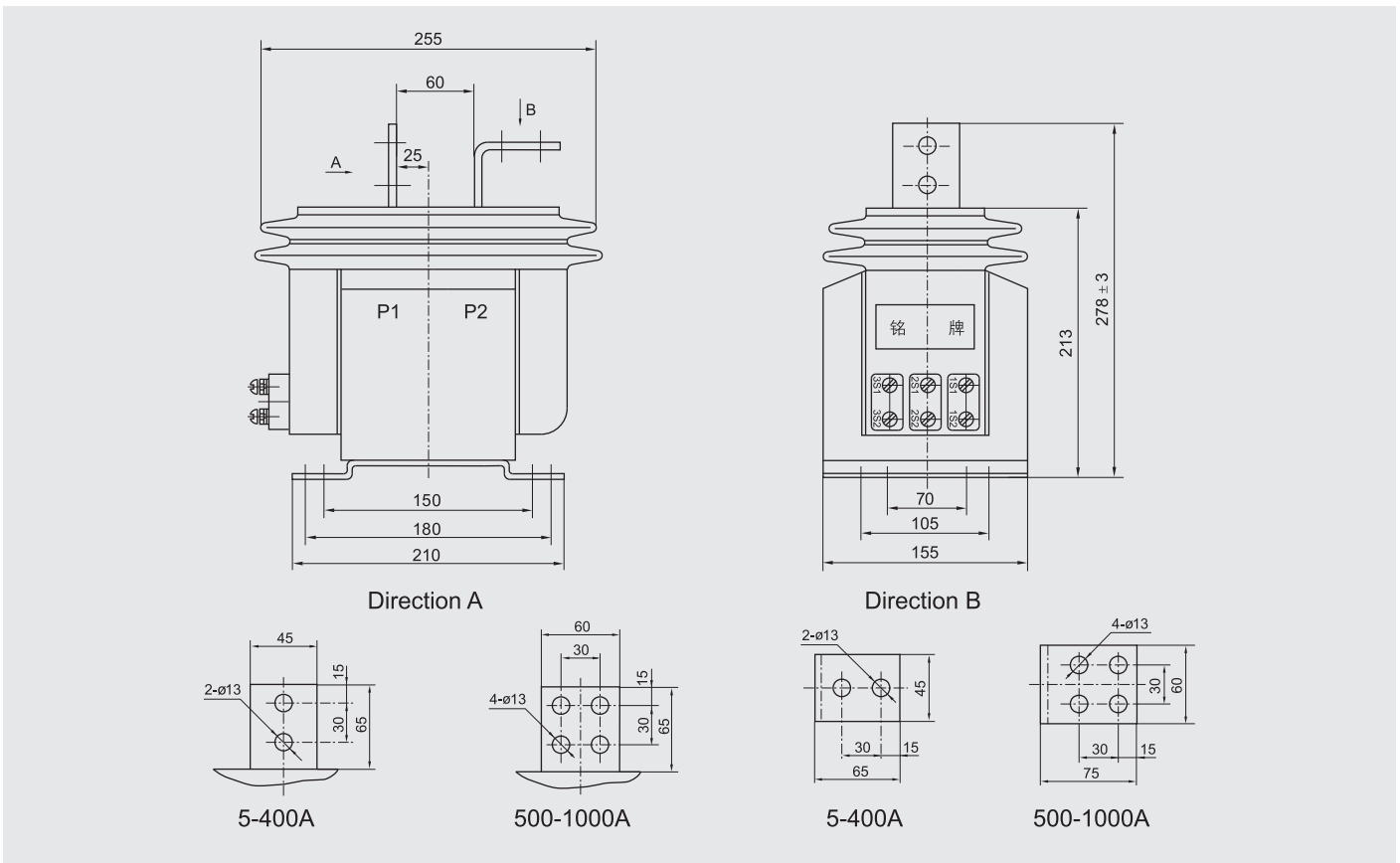
##### Technical data

- The current transformers are in accordance with GB1208 and IEC60044-1 standards
- Rated insulation level 12/42/75kV
- Rated frequency 50Hz or 60Hz
- Rated secondary current 5A or 1A
- Ambient temperature  $-5^{\circ}\text{C}\sim+40^{\circ}\text{C}$



| Rated primary current(A) | Accuracy classes combination | Rated secondary output (VA) |      |     |     |       | 1s thermal current (kA) | Rated dynamic current (kA) |
|--------------------------|------------------------------|-----------------------------|------|-----|-----|-------|-------------------------|----------------------------|
|                          |                              | 0.2S                        | 0.5S | 0.2 | 0.5 | 10P10 |                         |                            |
| 5-40                     | 0.2(S)/10P<br>0.5(S)/10P     | 10                          | 10   | 10  | 15  | 15    | 90lin                   | 220lin                     |
| 50-400                   |                              |                             |      |     |     |       | 100lin                  | 250lin                     |
| 500                      |                              |                             |      |     |     |       | 50                      | 100                        |
| 600                      |                              |                             |      |     |     |       | 56                      | 110                        |
| 800                      |                              |                             |      |     |     |       | 75                      | 110                        |
| 1000                     |                              |                             |      |     |     |       | 80                      | 130                        |

##### Overall dimension drawing

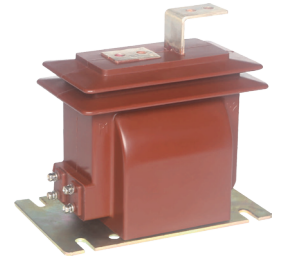


### LZX-10 Current Transformer

#### INDOOR SINGLE-PHASE EPOXY RESIN CASTING TYPE

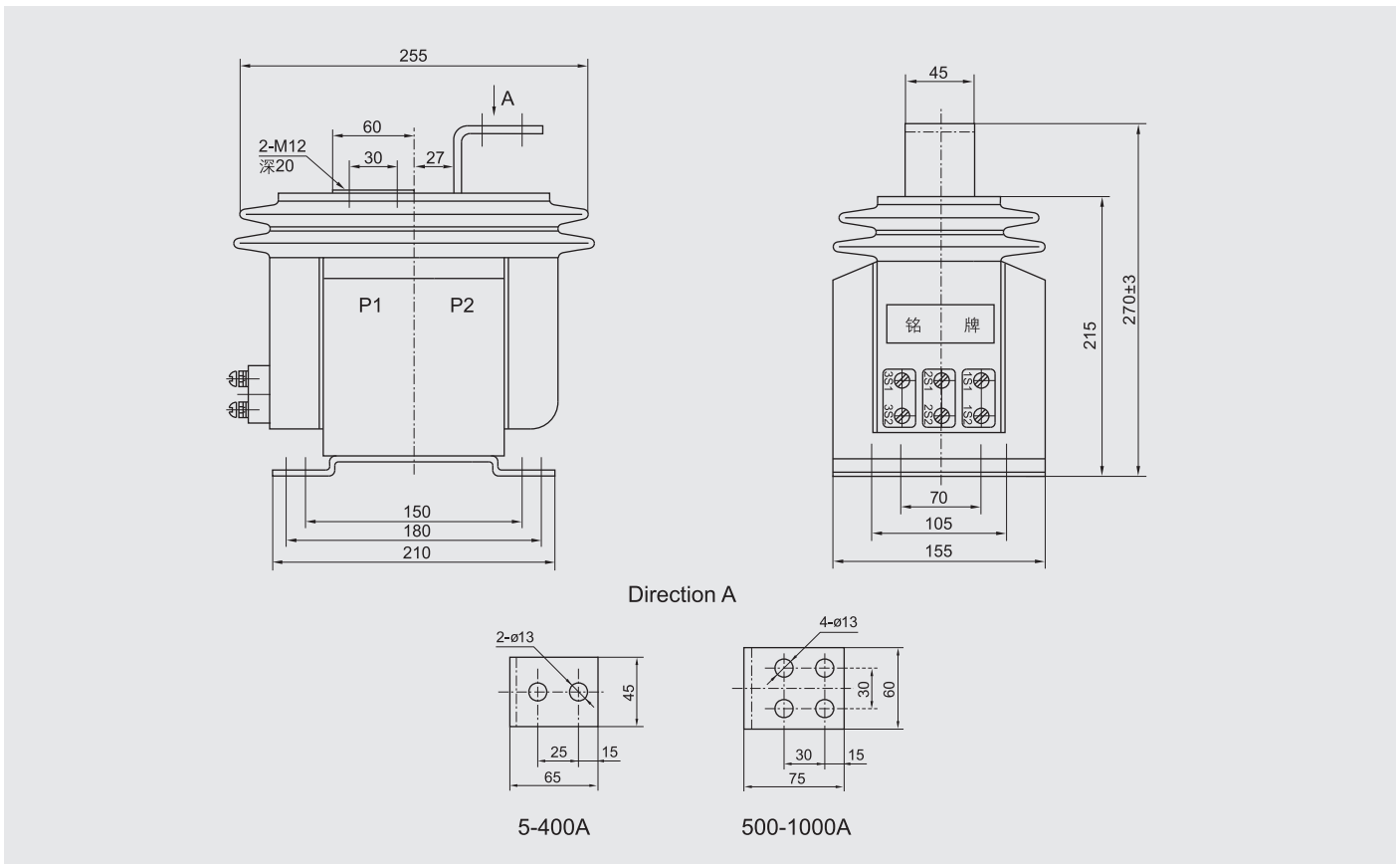
##### Technical data

- The current transformers are in accordance with GB1208 and IEC60044-1 standards
- Rated insulation level 12/42/75kV
- Rated frequency 50Hz or 60Hz
- Rated secondary current 5A or 1A
- Ambient temperature -5°C~+40°C



| Rated primary current(A) | Accuracy classes combination | Rated secondary output (VA) |      |     |     |       | 1s thermal current (kA) | Rated dynamic current (kA) |
|--------------------------|------------------------------|-----------------------------|------|-----|-----|-------|-------------------------|----------------------------|
|                          |                              | 0.2S                        | 0.5S | 0.2 | 0.5 | 10P10 |                         |                            |
| 5-40                     | 0.2(S)/10P<br>0.5(S)/10P     | 10                          | 10   | 10  | 15  | 15    | 90lin                   | 220lin                     |
| 50-400                   |                              |                             |      |     |     |       | 100lin                  | 250lin                     |
| 500                      |                              |                             |      |     |     |       | 50                      | 100                        |
| 600                      |                              |                             |      |     |     |       | 56                      | 110                        |
| 800                      |                              |                             |      |     |     |       | 75                      | 110                        |
| 1000                     |                              |                             |      |     |     |       | 80                      | 130                        |

##### Overall dimension drawing



### LZZBJ9-36 Current Transformer

#### INDOOR SINGLE-PHASE EPOXY RESIN CASTING TYPE

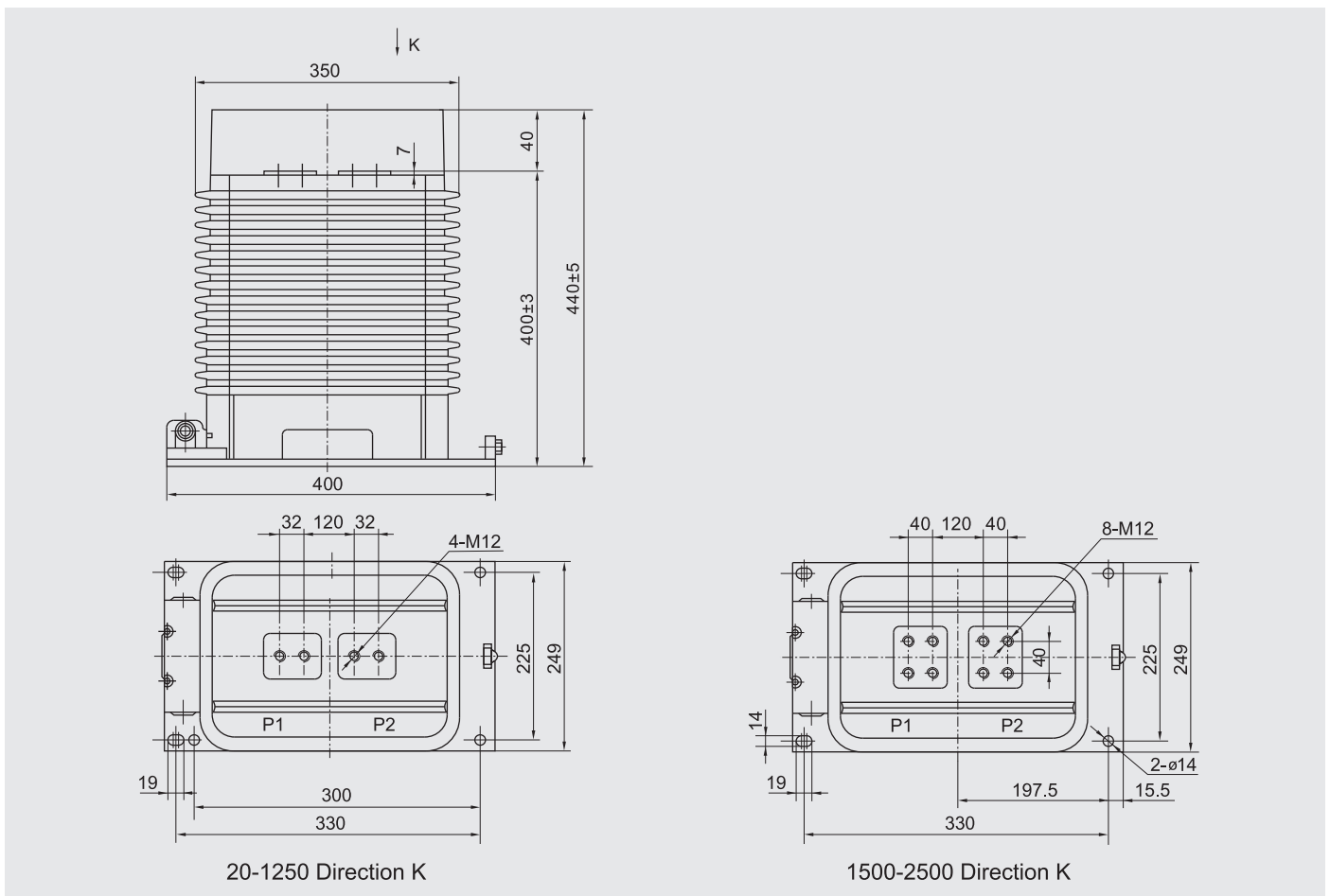
##### Technical data

- The current transformers are in accordance with GB1208 and IEC60044-1 standards
- Rated insulation level 40.5/95/185kV
- Rated frequency 50Hz or 60Hz
- Rated secondary current 5A or 1A
- Ambient temperature -5°C~+40°C



| Rated primary current(A) | Accuracy classes combination | Rated secondary output (VA) |     |       | Short-time thermal current (kA/S) | Rated dynamic current (kA) |
|--------------------------|------------------------------|-----------------------------|-----|-------|-----------------------------------|----------------------------|
|                          |                              | 0.2                         | 0.5 | 10P20 |                                   |                            |
| 20-100                   | 0.2/0.2                      | 10                          | 15  | 15    | 200lin                            | 500lin                     |
| 150-200                  | 0.2/0.5                      |                             |     |       |                                   |                            |
| 300-500                  | 0.5/0.5                      | 15                          | 30  | 20    | 31.5/2                            | 80                         |
| 600-1250                 | 0.2/5P20                     |                             |     |       |                                   |                            |
| 1500-2000                | 0.5/5P20                     | 20                          | 40  | 30    | 40/4                              | 125                        |
| 2500                     | 0.25/0.5/10P20               | 20                          | 40  | 20    |                                   |                            |

##### Overall dimension drawing

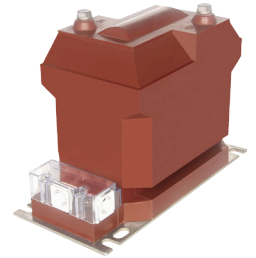


### JDZ10-3,6,10 Voltage Transformer

#### INDOOR SINGLE-PHASE EPOXY RESIN CASTING TYPE

##### Technical data

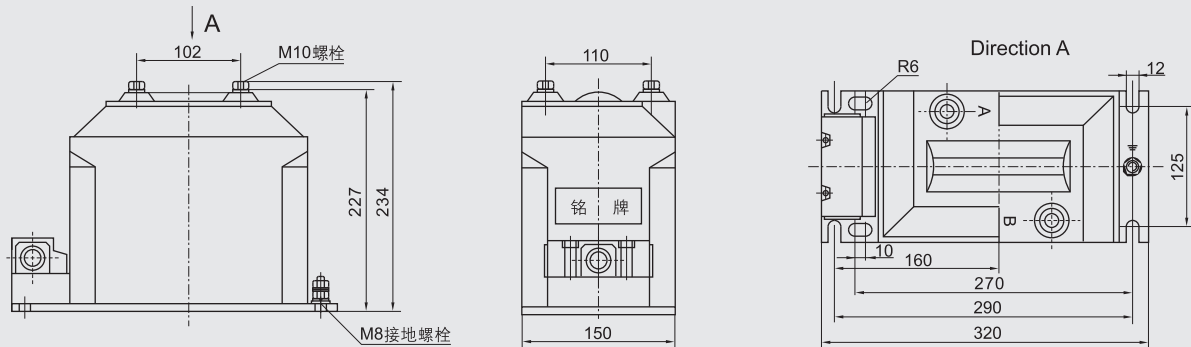
- The voltage transformers are in accordance with GB1207 and IEC60044-2 standards
- Rated insulation level 12/42/75、7.2/32/60kV
- Rated frequency 50Hz or 60Hz



| Rated voltage ratio (V) | Rated secondary output (VA) |     |    |     | Max.output (VA) | Rated insulation level (kV)        | Notes      | Wiring diagram |
|-------------------------|-----------------------------|-----|----|-----|-----------------|------------------------------------|------------|----------------|
|                         | 0.2                         | 0.5 | 1级 | 3级  |                 |                                    |            |                |
| 3000/100                | 15                          | 30  | 60 | 150 | 200             | 3.6/25/40<br>7.2/32/60<br>12/42/75 | Same "RZL" | Figure 1-2     |
| 6000/100                |                             |     |    |     |                 |                                    |            |                |
| 10000/100               |                             |     |    |     |                 |                                    |            |                |

##### Overall dimension drawing

JDZ10-3、6、10



##### Wiring diagram

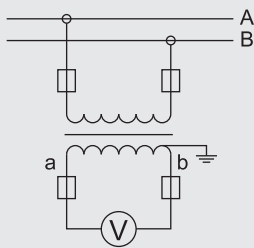


图1 (Figure 1)

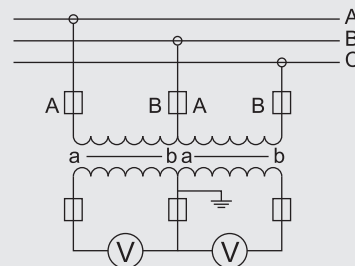


图2 (Figure 2)

### JDZX10-3,6,10 Voltage Transformer

#### INDOOR SINGLE-PHASE EPOXY RESIN CASTING TYPE

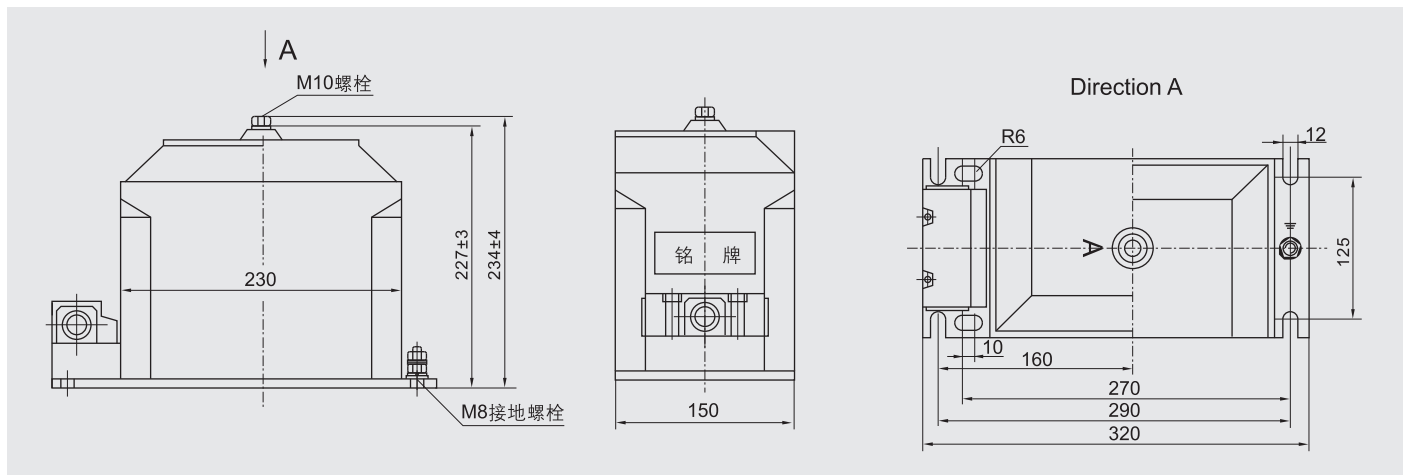
##### Technical data

- The voltage transformers are in accordance with GB1207 and IEC60044-2 standards
- Rated insulation level 12/42/75、7.2/32/60kV
- Rated frequency 50Hz or 60Hz

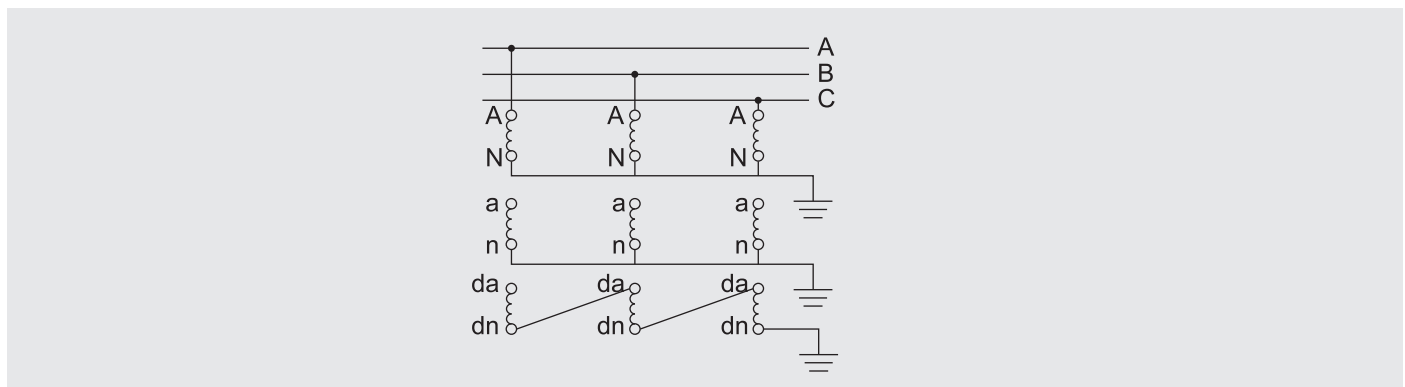


| Rated voltage ratio (V)   | Rated secondary output (VA) |     |    |     |    | Max.output (VA) | Rated insulation level (kV) | Notes      |
|---|-----------------------------|-----|----|-----|----|-----------------|-----------------------------|------------|
|   | 0.2                         | 0.5 | 1级 | 3级  | 6P |                 |                             |            |
| $\frac{3000}{\sqrt{3}} / \frac{100}{\sqrt{3}} / \frac{100}{3}$  | 15                          | 30  | 60 | 150 | 50 | 200             | 3.6/25/40                   | Same "REL" |
| $\frac{6000}{\sqrt{3}} / \frac{100}{\sqrt{3}} / \frac{100}{3}$  |                             |     |    |     |    |                 | 7.2/32/60                   |            |
| $\frac{10000}{\sqrt{3}} / \frac{100}{\sqrt{3}} / \frac{100}{3}$ |                             |     |    |     |    |                 | 12/42/75                    |            |

##### Overall dimension drawing



##### Wiring diagram



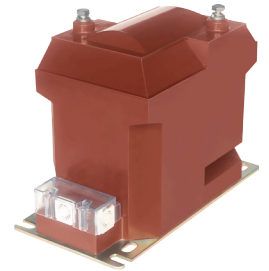


### JDZ10-3,6,10B, JDZX10-3,6,10B1G Voltage Transformer

#### INDOOR SINGLE-PHASE EPOXY RESIN CASTING TYPE

##### Technical data

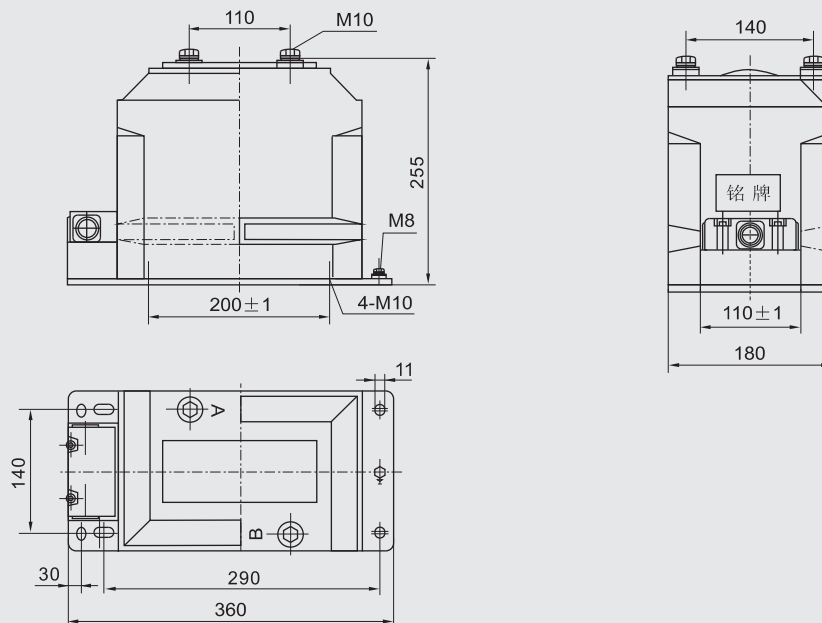
- The voltage transformers are in accordance with GB1207 and IEC60044-2 standards
- Rated insulation level 12/42/75、7.2/32/60kV
- Rated frequency 50Hz or 60Hz



| Type         | Rated voltage ratio (V)  | Rated secondary output (VA) |     |     |     |                                  |         | Max.output (VA) | Rated insulation level(kV) | Notes                            | Wiring diagram      |
|--------------|--|-----------------------------|-----|-----|-----|----------------------------------|---------|-----------------|----------------------------|----------------------------------|---------------------|
|              |  | 0.2                         | 0.5 | 1级  | 3级  | 0.2/0.2<br>0.2/0.5               | 0.5/0.5 |                 |                            |                                  |                     |
| JDZ10-3B     | 3000/100   | 30                          | 50  | 100 | 200 | /                                | /       | 600             | 3.6/25/40                  | 等同<br>"RZL10"<br>Same<br>"RZL10" | 图1-图2<br>Figure 1-2 |
| JDZ10-6B     | 6000/100   |                             |     |     |     |                                  |         |                 | 7.2/32/60                  |                                  |                     |
| JDZ10-10B    | 10000/100  |                             |     |     |     |                                  |         |                 | 12/42/75                   |                                  |                     |
|              | 10000/100/100  | /                           | /   | /   | /   | 15/15<br>15/20                   | 30/30   | 300/300         | /                          | 图3-图4<br>Figure 3-4              |                     |
|              | 10000/100/220  | /                           | /   | /   | /   | 0.2/3---25/200<br>0.5/3---50/200 | 300/400 |                 |                            |                                  |                     |
| JDZX10-3B1G  | $\frac{3000}{\sqrt{3}} / \frac{100}{\sqrt{3}} / \frac{100}{3}$                         | 30                          | 50  | 90  | 200 | /                                | /       | 400             | 3.6/25/40                  | /                                | 图5<br>Figure 5      |
| JDZX10-6B1G  | $\frac{6000}{\sqrt{3}} / \frac{100}{\sqrt{3}} / \frac{100}{3}$                         |                             |     |     |     |                                  |         |                 | 7.2/32/60                  |                                  |                     |
| JDZX10-10B1G | $\frac{10000}{\sqrt{3}} / \frac{100}{\sqrt{3}} / \frac{100}{3}$                        |                             |     |     |     |                                  |         |                 | 12/42/75                   |                                  |                     |
|              | $\frac{10000}{\sqrt{3}} / \frac{100}{\sqrt{3}} / \frac{100}{\sqrt{3}} / \frac{100}{3}$ | /                           | /   | /   | /   | 15/15<br>15/20                   | 30/30   | 200/200         |                            | 图6<br>Figure 6                   |                     |

##### Overall dimension drawing

JDZ10-3、6、10B  
JDZX10-3、6、10B1G



### JDZ10-3,6,10B, JDZX10-3,6,10B1G Voltage Transformer

#### Wiring diagram

JDZ10-3, 6, 10B1

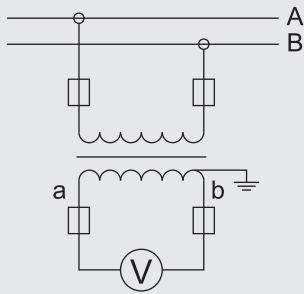


Figure 1

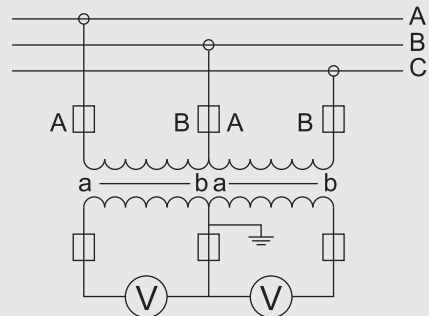


Figure 2

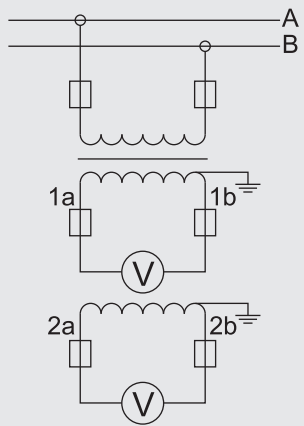


Figure 3

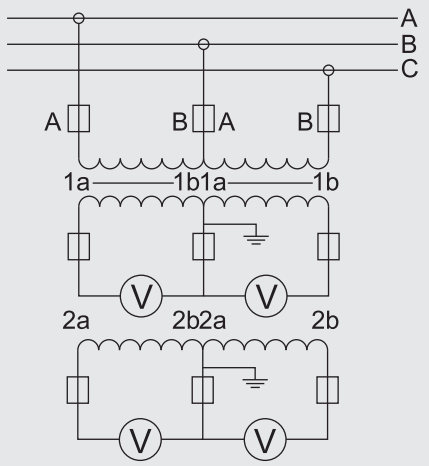


Figure 4

JDZX10-3, 6, 10B1G

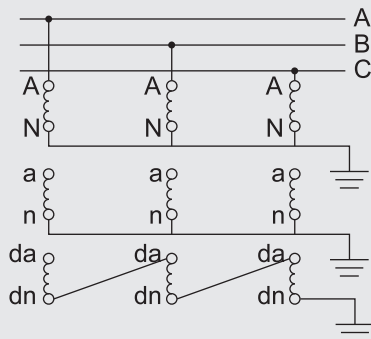


Figure 5

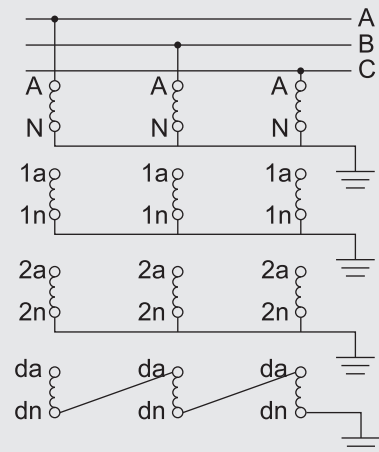


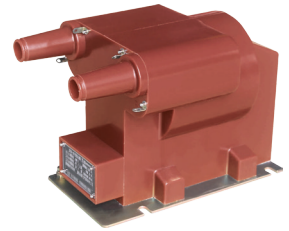
Figure 6

### JDZX12A-3,6,10R/JDZ16-3,6,10R Voltage Transformer

#### INDOOR SINGLE-PHASE EPOXY RESIN CASTING TYPE

#### Technical data

- The voltage transformers are in accordance with GB1207 and IEC60044-2 standards
- Rated insulation level 12/42/75、7.2/32/60kV
- Rated frequency 50Hz or 60Hz



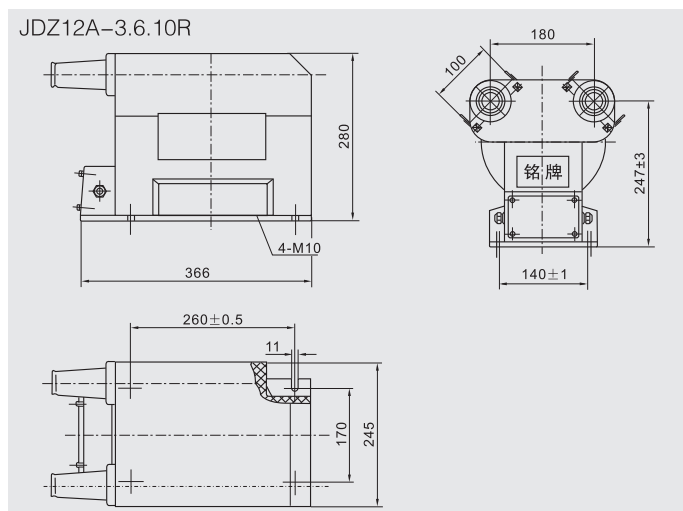
| Type       | Rated voltage ratio (V) | Rated secondary output(VA) |     |     |     |                                |         | Max.output (VA) | Rated insulation level(kV) | Wiring diagram |
|------------|-------------------------|----------------------------|-----|-----|-----|--------------------------------|---------|-----------------|----------------------------|----------------|
|            |                         | 0.2                        | 0.5 | 1级  | 3级  | 0.2/0.2<br>0.2/0.5             | 0.5/0.5 |                 |                            |                |
| JDZ12A-3   | 3000/100                | 30                         | 90  | 250 | 400 | /                              | /       | 1000            | 3.6/23/40                  | Figure1-2      |
| JDZ12A-6   | 6000/100                |                            |     |     |     |                                |         |                 | 7.2/32/60                  |                |
| JDZ12A-10  | 10000/100               |                            |     |     |     |                                |         |                 |                            |                |
| JDZ12A-10R | 10000/220               |                            |     |     |     |                                |         |                 |                            |                |
| JDZ16-6    | 10000/100/100           | /                          | /   | /   | /   | 20/20                          | 50/50   | 500/500         | 12/42/75                   | Figure3-4      |
| JDZ16-10   | 10000/100/200           | /                          | /   | /   | /   | 20/30                          |         | 800/1000        |                            |                |
| JDZ16-10R  |                         |                            |     |     |     | 0.2/3--30/400<br>0.5/3--90/400 |         |                 |                            |                |
| JDZ12A-3R  | 3000/100                | 30                         | 90  | 250 | 400 | /                              | /       | 1000            | 3.6/23/40                  | Figure1-2      |
| JDZ12A-6R  | 6000/100                |                            |     |     |     |                                |         |                 | 7.2/32/60                  |                |
| JDZ12A-10R | 10000/100               |                            |     |     |     |                                |         |                 |                            |                |
| JDZ12A-10R | 10000/200               |                            |     |     |     |                                |         |                 |                            |                |
| JDZ16-6R   | 10000/100/100           | /                          | /   | /   | /   | 20/20                          | 50/50   | 500/500         | 12/42/75                   | Figure3-4      |
| JDZ16-10R  | 10000/100/220           | /                          | /   | /   | /   | 20/30                          |         | 800/1000        |                            |                |
| JDZ16-10R  |                         |                            |     |     |     | 0.2/3--30/400<br>0.5/3--90/400 |         |                 |                            |                |

Note: The first wiring point connection mode:

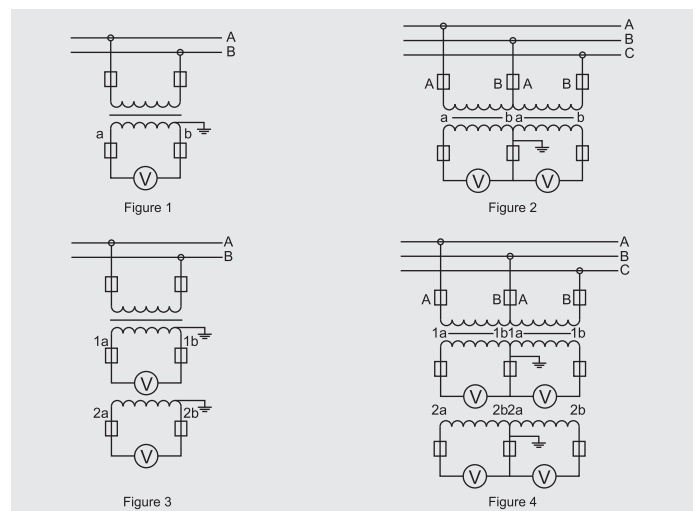
JDZ12A-3.6.10 First wiring point and 200A American Type elbow plug cooperate.

JDZ12A-3.6.10R First wiring point and 200A American Type heavy cable elbow plug cooperate.

#### Overall dimension drawing



#### Wiring diagram

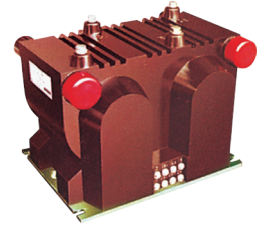


### JSZVR-3,6,10W/JSZV1-3,6,10R Voltage Transformer

#### INDOOR THREE-PHASE EPOXY RESIN CASTING TYPE

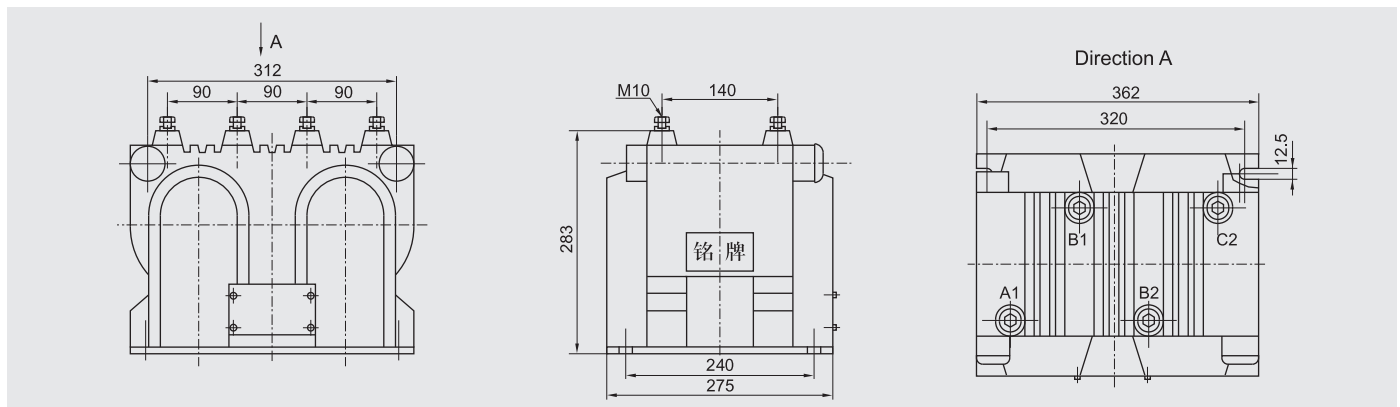
#### Technical data

- The voltage transformers are in accordance with GB1207 and IEC60044-2 standards
- Rated insulation level 12/42/75、7.2/32/60kV
- Rated frequency 50Hz or 60Hz



| Rated voltage ratio (V) | Rated secondary output(VA) |     |     |    |                                  |         | Max.output (VA) | Rated insulation level (kV) | Wiring diagram |
|-------------------------|----------------------------|-----|-----|----|----------------------------------|---------|-----------------|-----------------------------|----------------|
|                         | 0.2                        | 0.5 | 1级  | 3级 | 0.2/0.2<br>0.2/0.5               | 0.5/0.5 |                 |                             |                |
| 3000/100                | 30                         | 80  | 150 | /  | /                                | /       | 800             | 3.6/23/40                   | 图1<br>Figure 1 |
| 6000/100                |                            |     |     |    |                                  |         |                 | 7.2/32/60                   |                |
| 10000/100               |                            |     |     |    |                                  |         |                 | 12/42/75                    |                |
| 3000/100/100            | /                          | /   | /   | /  | 20/20                            | 40/40   | /               | 3.6/23/40                   | 图2<br>Figure 2 |
| 6000/100/100            |                            |     |     |    |                                  |         |                 | 7.2/32/60                   |                |
| 10000/100/100           |                            |     |     |    |                                  |         |                 | 12/42/75                    |                |
| 10000/100/220           | /                          | /   | /   | /  | 0.2/3---30/200<br>0.5/3---80/200 |         | 600/800         |                             |                |

#### Overall dimension drawing



#### Wiring diagram

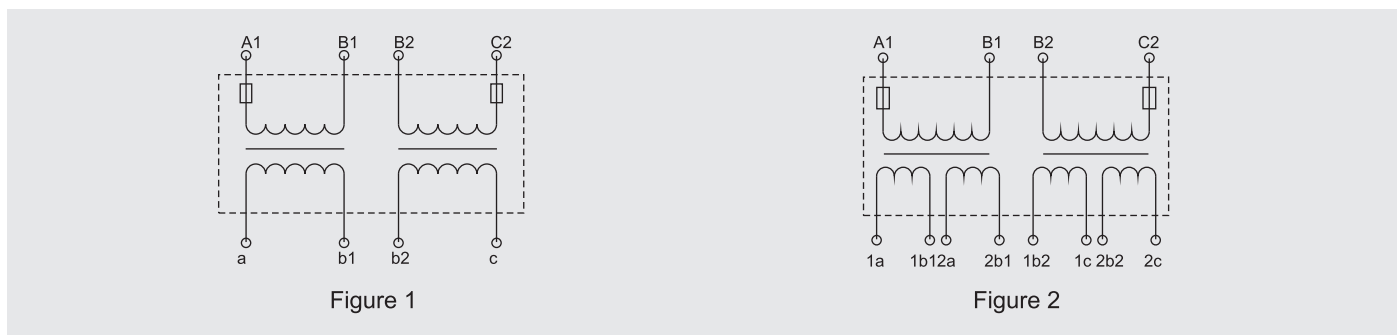


Figure 1

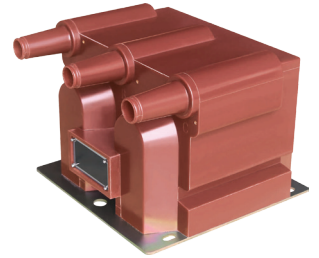
Figure 2

### JSZV12A-3,6,10R/JSZY16-10R Voltage Transformer

#### INDOOR THREE-PHASE EPOXY RESIN CASTING TYPE

##### Technical data

- The voltage transformers are in accordance with GB1207 and IEC60044-2 standards
- Rated insulation level 12/42/75、7.2/32/60kV
- Rated frequency 50Hz or 60Hz

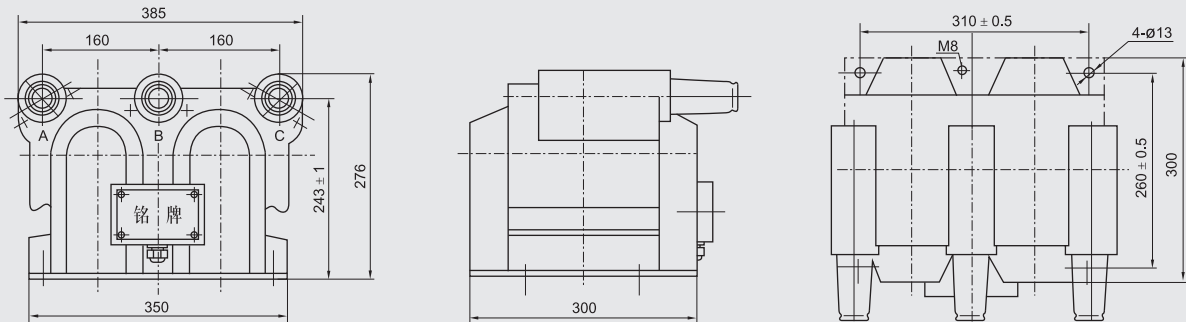


| Rated voltage ratio (V) | Accuracy class<br>Three-phase rated secondary output (VA)   | Max.output (VA)                                   | Rated insulation level(kV) | Wiring diagram |
|-------------------------|---|---|----------------------------|----------------|
| 3000/100                | 0.2-- $30 \times \sqrt{3}$<br>0.5-- $90 \times \sqrt{3}$<br>1-- $250 \times \sqrt{3}$   | $600 \times \sqrt{3}$                             | 3.6/23/40                  | Figure 1       |
| 6000/100                |   |   | 7.2/32/60                  |                |
| 10000/100               |   |   | 12/42/75                   |                |
| 3000/100/100            | 0.2/0.2-- $20 \times \sqrt{3} / 20 \times \sqrt{3}$<br>0.2/0.5-- $20 \times \sqrt{3} / 20 \times \sqrt{3}$<br>0.5/0.5-- $45 \times \sqrt{3} / 45 \times \sqrt{3}$ | $\frac{500 \times \sqrt{3}}{500 \times \sqrt{3}}$ | 3.6/23/40                  | Figure 2       |
| 6000/100/100            |   |   | 7.2/32/60                  |                |
| 10000/100/100           |   |   | 12/42/75                   |                |
| 10000/100/220           | $600 \times \sqrt{3} / 1000$  |   |                            |                |

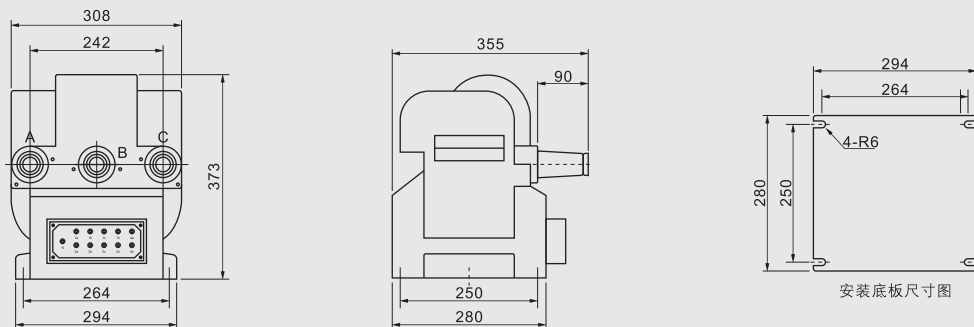
Note: The first wiring point connection mode: JSZV12A-3、6、10R first wiring point and 200A American type heavy-calibre elbow plug cooperate.

##### Overall dimension drawing

JSZV12A-10R



JSZY16-10R



### JDZ9-36Q/JDZX9-36G Voltage Transformer

#### INDOOR SINGLE-PHASE EPOXY RESIN CASTING TYPE

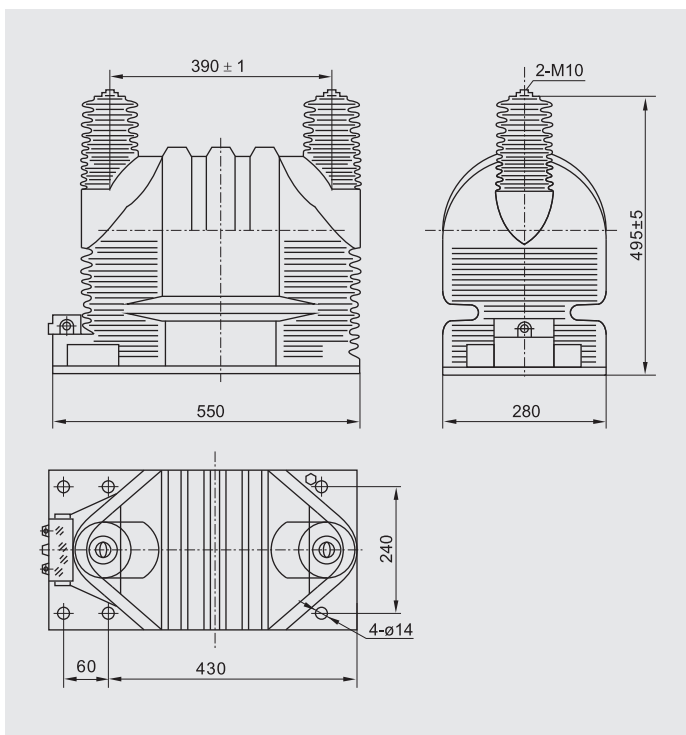
##### Technical data

- The current transformers are in accordance with GB1207 and IEC60044-2 standards
- Rated insulation level 40.5/95/200kV
- Rated frequency 50Hz or 60Hz

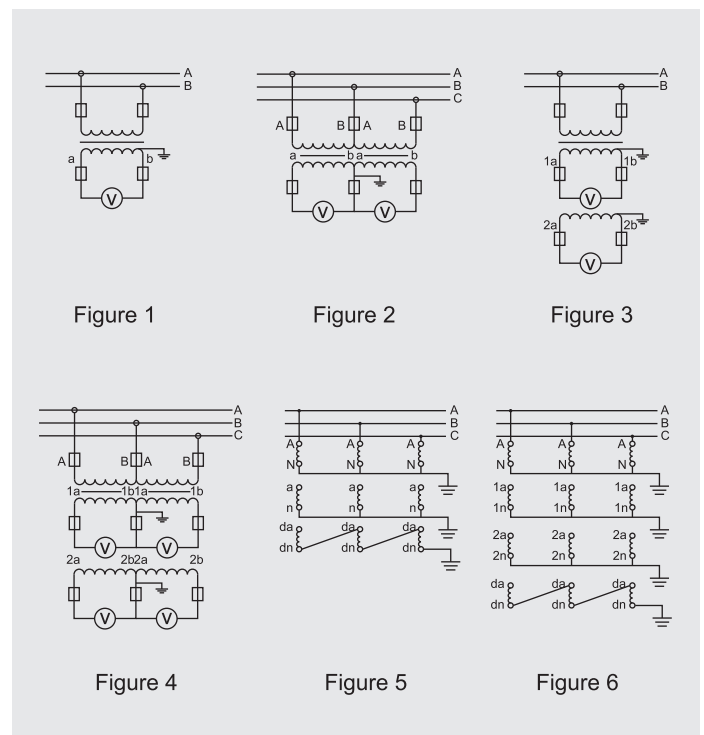


| type      | Rated voltage ratio (kV)   | Rated secondary output(VA) |     |     |     |                    |         |        | Max.output (VA) | Rated insula-tion level (kV) | Notes      | Wiring diagram |
|-----------|--|----------------------------|-----|-----|-----|--------------------|---------|--------|-----------------|------------------------------|------------|----------------|
|           |  | 0.2                        | 0.5 | 1级  | 3级  | 0.2/0.2<br>0.2/0.5 | 0.5/0.5 | 6P(3P) |                 |                              |            |                |
| JDZ9-36Q  | 36000/100  | 60                         | 120 | 240 | 600 | /                  | /       | /      | 800             | 40.5/95/200                  | Same "VKV" | Figure1-2      |
|           | 36000/100/100  | /                          | /   | /   | /   | 30/30              | 40/40   | /      | 500/500         |                              |            | Figure3-4      |
| JDZX9-36G | $\frac{36000}{\sqrt{3}} / \frac{100}{\sqrt{3}} / \frac{100}{3}$                        | 30                         | 90  | 180 | 500 | /                  | /       | 100    | 600             |                              |            | Figure5        |
|           | $\frac{36000}{\sqrt{3}} / \frac{100}{\sqrt{3}} / \frac{100}{\sqrt{3}} / \frac{100}{3}$ | /                          | /   | /   | /   | 15/15<br>15/20     | 45/45   | 100    | 300/300         |                              |            | Figure6        |

#### Overall dimension drawing



#### Wiring diagram



### JDZX(F)9-36 Single phase hermetically casted semi-insulation Voltage Transformer

#### Technical data

- Product standard : Gb1207;
- Of the transformer connected group labeled 1/1/1-12-12, three single-phase winding voltage transformer connection group for the YO / YO /  $\Delta$  -12-11 (residual voltage winding is connected to open triangle);
- Pollution class: class II;
- Load power factor:  $\cos \phi = 0.8$  (lag);
- Other technical parameters are as follows:



| Type      | Rated Voltage Ratio(kV)                                 | Accuracy class | Rated Output (VA) | limit Output (VA) | Reted insulating level (kV) | Remark   |
|-----------|---|----------------|-------------------|-------------------|-----------------------------|----------|
| JDZX9-36  | 36/ $\sqrt{3}$ /0.1/ $\sqrt{3}$ /0.1/3                  | 0.2/6P         | 30/100            | 600               | 40.5/95/185                 | With VKI |
|           |   | 0.5/6P         | 80/100            |                   |                             |          |
| JDZXF9-36 | 36/ $\sqrt{3}$ /0.1/ $\sqrt{3}$ /0.1/ $\sqrt{3}$ /0.1/3 | 0.2/0.5/6P     | 30/50/100         | 300               |                             |          |

#### Description

Of the series voltage transformer forming epoxy resin cast. Strut fully enclosed structure. Rated frequency of 50Hz or 60Hz, rated voltage of the power system of 36kV indoor installations, the connection between phase and earth energy measurement and relay protection, secondary measuring winding output voltage of  $100/\sqrt{3}$  V, the power supply can be measured residual voltage winding of the three products access into the open triangle. Used as a ground fault protection. When the transformer rated voltage excitation. Able to withstand one second external short circuit without damage.

#### Characteristic of structure

Voltage transformer of this type of pillar structure, the use of epoxy pouring full closed. Resistant dirty and wet. Also suitable for use in tropical areas, the transformer does not require special maintenance, just on a regular basis to remove surface dirt, pouring insulation fully enclosed, small size, light weight, suitable for any location, direction of installation due to the transformer. Secondary outlet terminals installed at the terminal box, box has three outlet terminals holes from different directions leads to the second line. Convenient. safe and reliable connection, and anti-theft measures.

#### Outine dimension

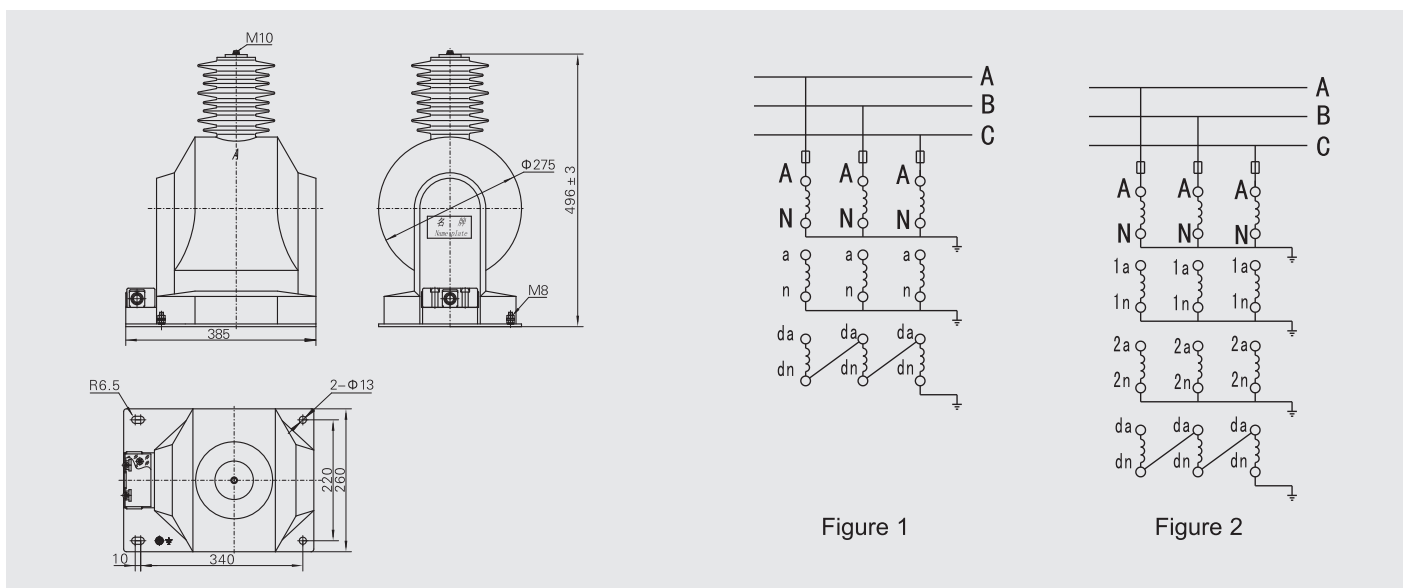


Figure 1

Figure 2

### JDZ(X)W-3,6,10(R) Outdoor Voltage Transformer

#### OUTDOOR SINGLE-PHASE EPOXY RESIN CASTING TYPE

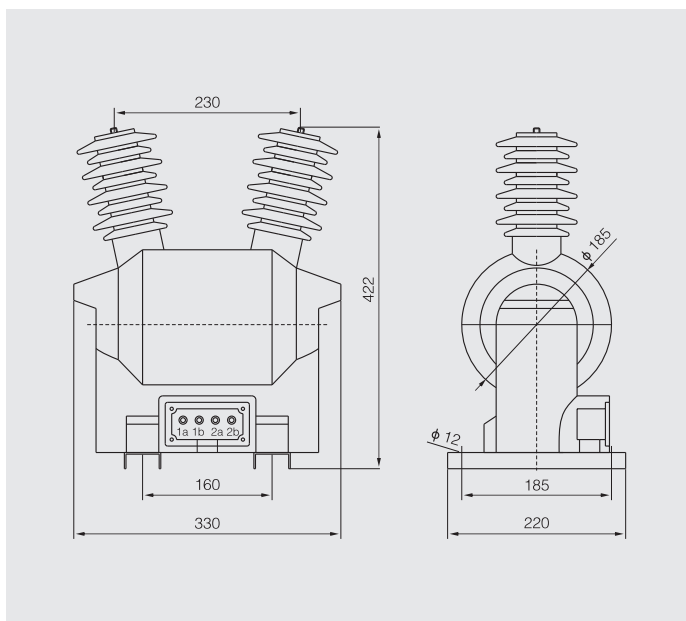
##### Technical data

- The current transformers are in accordance with GB1207 and IEC60044-2 standards
- Rated insulation level 12/42/75kV、7.2/32/60kV
- Rated frequency 50Hz or 60Hz

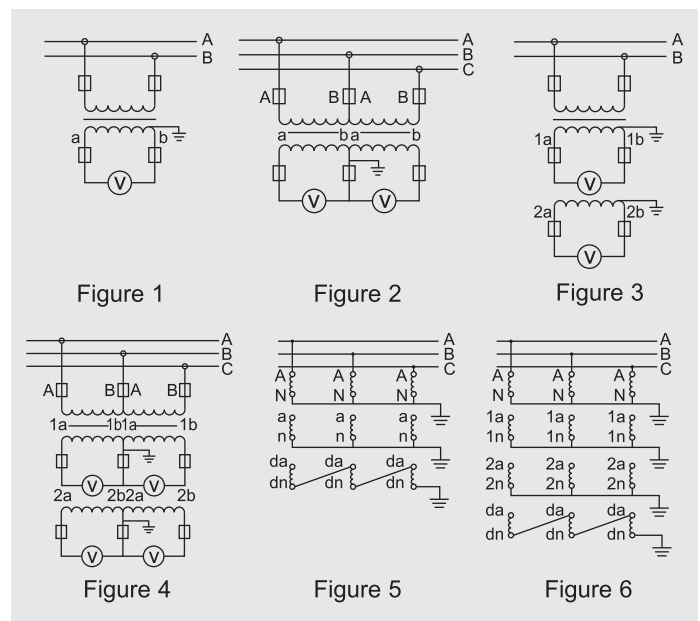


| Type      | Rated voltage ratio (V)   | Accuracy class and rated secondary output (VA) |     |     |     |                    |            |     | Max.output (VA) | Rated insulation level(kV) | Wiring diagram |
|-----------|---|--|-----|-----|-----|--------------------|------------|-----|-----------------|----------------------------|----------------|
|           |   | 0.2  | 0.5 | 1级  | 3级  | 0.2/0.2<br>0.2/0.5 | 0.5/0.5    | 6P  |                 |                            |                |
| JDZW-3R   | 3000/100  | 40   | 80  | 200 | 300 | /                  | /          | /   | 1000            | 3.6/25/40                  | Figure1-2      |
| JDZW-6R   | 6000/100  |  |     |     |     |                    |            |     |                 |                            |                |
| JDZW-10R  | 10000/100   |  |     |     |     |                    |            |     |                 |                            |                |
| JDZW-10R  | 10000/220   | 40   | 80  | 200 | 600 | /                  | /          | /   | 500/500         | 12/42/75                   | Figure3-4      |
|           | 10000/100/100   | /  | /   | /   | /   | 25/25              | 40/40      | /   |                 |                            |                |
|           | 10000/100/220   | /  | /   | /   | /   | 0.2(0.5)/3         | 40(80)/300 | /   |                 |                            |                |
| JDZXW-3R  | $\frac{3000}{\sqrt{3}} / \frac{100}{\sqrt{3}} / \frac{100}{3}$  | 20   | 50  | 150 | 250 | /                  | /          | 100 | 600             | 3.6/25/40                  | Figure5        |
| JDZXW-6R  | $\frac{6000}{\sqrt{3}} / \frac{100}{\sqrt{3}} / \frac{100}{3}$  |  |     |     |     |                    |            |     |                 |                            |                |
| JDZXW-10R | $\frac{10000}{\sqrt{3}} / \frac{100}{\sqrt{3}} / \frac{100}{3}$ |  |     |     |     |                    |            |     |                 |                            |                |
| JDZXW-10R | $\frac{10000}{\sqrt{3}} / \frac{100}{\sqrt{3}} / \frac{100}{3}$ | /  | /   | /   | /   | 15/15              | 40/40      | 100 | 300/300         | 12/42/75                   | Figure6        |

#### Overall dimension drawing



#### Wiring diagram





### JDZXW-36R Outdoor Voltage Transformer

### OUTDOOR SINGLE-PHASE EPOXY RESIN CASTING TYPE

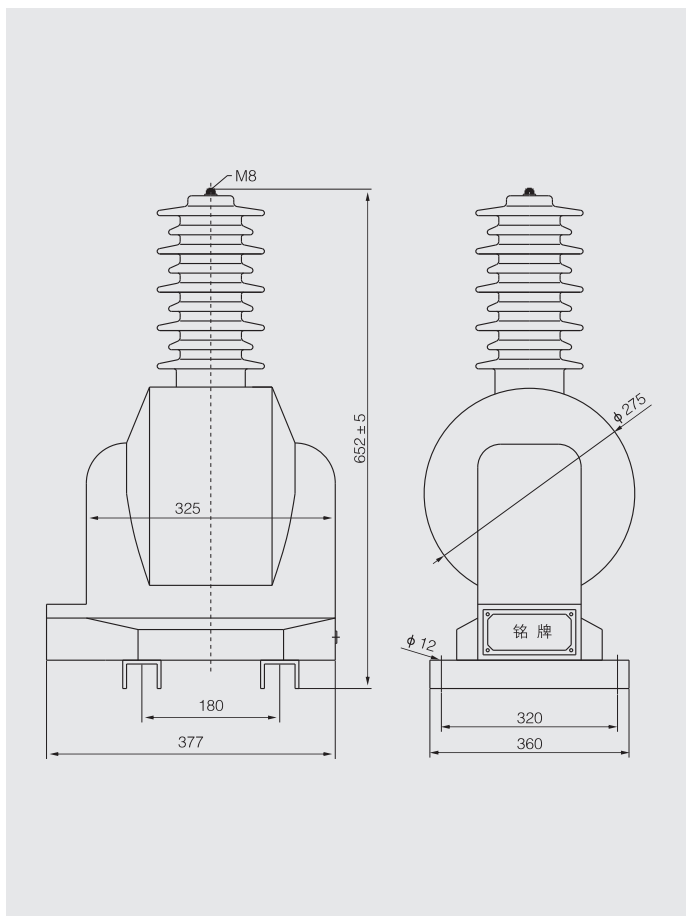
#### Technical data

- The current transformers are in accordance with GB1207 and IEC60044-2 standards
- Rated insulation level 40.5/95/185kV
- Rated frequency 50Hz or 60Hz

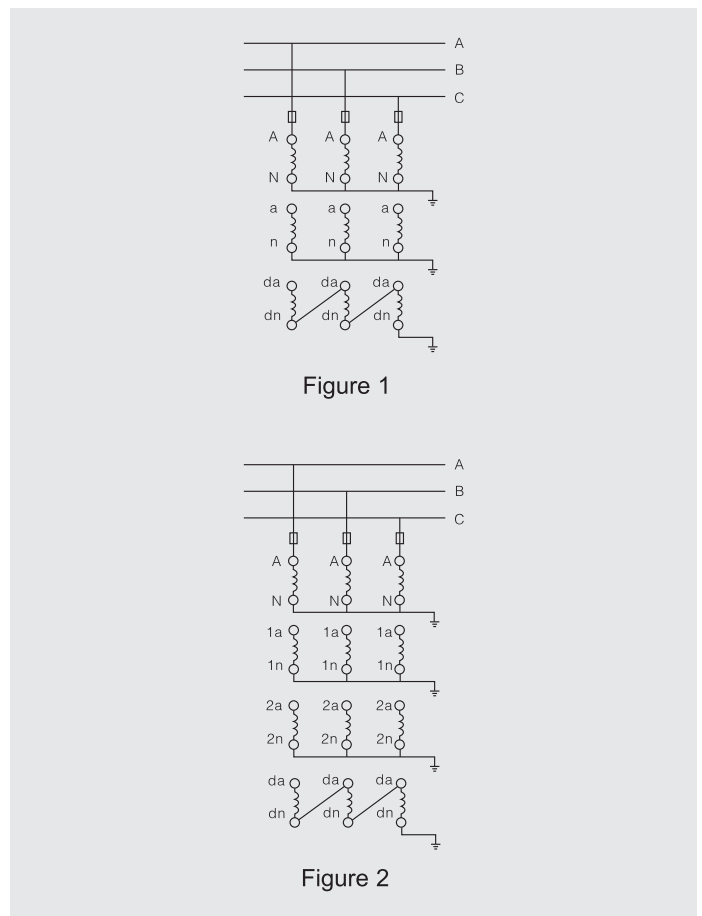


| Rated voltage ratio (V)  | Accuracy class and rated secondary output (VA) |     |     |     |                    |         |     | Max.output (VA) | Rated insulation level (kV) | Wiring diagram |
|--|--|-----|-----|-----|--------------------|---------|-----|-----------------|-----------------------------|----------------|
|  | 0.2  | 0.5 | 1级  | 3级  | 0.2/0.2<br>0.2/0.5 | 0.5/0.5 | 6P  |                 |                             |                |
| $\frac{36000}{\sqrt{3}} / \frac{100}{\sqrt{3}} / \frac{100}{3}$                        | 30   | 90  | 180 | 500 | /                  | /       | 100 | 600             | 40.5/95/200                 | Figure1        |
| $\frac{36000}{\sqrt{3}} / \frac{100}{\sqrt{3}} / \frac{100}{\sqrt{3}} / \frac{100}{3}$ | /  | /   | /   | /   | 20/20<br>20/30     | 45/45   | 100 | 300/300         |                             | Figure2        |

#### Overall dimension drawing



#### Wiring diagram



### JSZW-10 Model Outdoor Whole-seal Three-Phase Voltage Transformer

#### Technical data

- Surface creepage distance: conform to II pollution class;
- Load power factor:  $\text{COS } \phi = 0.8$  (Lagging);
- Product standard: GB1207-2006 《Voltage transformer》.



| Type    | Rated voltage ratio                        | Accuracy Class | Rated output (VA) |     |     | Limit output (VA) | Rated insulation level (kV) |
|---------|--|----------------|-------------------|-----|-----|-------------------|-----------------------------|
|         |  |                | 0.2               | 0.5 | 3P  |                   |                             |
| JSZW-6  | $6000/\sqrt{3}/100/\sqrt{3}/100/\sqrt{3}$  | 0.2            | 75                | 120 | 120 | 960               | 7.2/32/60                   |
| JSZW-10 | $10000/\sqrt{3}/100/\sqrt{3}/100/\sqrt{3}$ | 0.5            | 75                | 120 | 120 | 960               | 12/42/75                    |

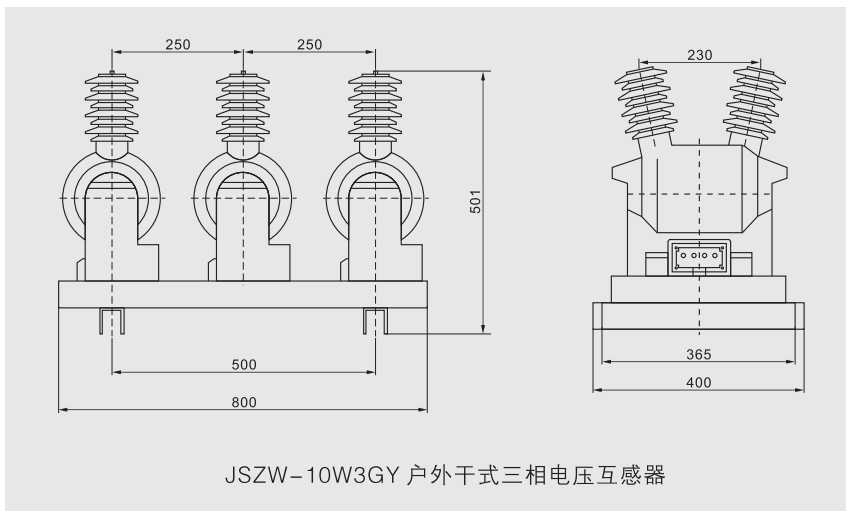
#### Description

The JSZW-10 model volt transformer possesses outdoor epoxy resin casting whole-seal mechanism; it is applied to outdoor power system of rated volt being 10kV and rated frequency being 50Hz, to be used for volt and electric energy measuring.

#### Characteristic of structure

This model volt transformer possesses outdoor epoxy resin (German CY160) casting whole sealing support type mechanism, which owns many characteristics as small volume and strong climate adaptability, for adopting outdoor epoxy resin casting, so this product owns properties of pollution proof and ultraviolet radiation proof etc, it is suitable for warm zone, and the iron core of transformer adopts C structure and high magneto-conductivity material, its primary and secondary volt winding are concentric-twisted together, with epoxy resin casting shaping. Three-phase casting body is connected together and fixed onto base plate, there are wiring box and four installation holes provided for installation on base plate.

#### Overall dimension drawing



#### When ordering, please specify the following

- Type and voltage ration;
- Accuracy class and secondary output;
- Insulation class and service condior.

### LZZBW-10 Pillar Type Totally Enclosed Outdoor Insulation Pouring for Current Transformer

#### OUTDOOR SINGLE-PHASE EPOXY RESIN CASTING TYPE

##### Technical data

- The current transformers are in accordance with GB1208 and IEC60044-1 standards
- Rated secondary current 5A or 1A
- Rated insulation level 12/42/75kV
- Ambient temperature -5°C~+40°C
- Rated frequency 50Hz or 60Hz
- Pollution class IV



##### Main technical parameters

| Rated primary current(A) | Accuracy classes combination   | Rated output (VA)   | 1s thermal current (kA) | Rated dynamic current (kA) |  |  |
|--------------------------|--|---|-------------------------|----------------------------|--|--|
| 20-40;40                 | 0.2/0.5<br>0.5S/0.5<br>0.5/0.5<br>0.2/0.5<br>0.2/10P10<br>0.5/10P10<br>10P10/10P10<br>10P15/10P15<br>10P20/10P20<br>0.2S/0.5/10P10<br>0.2S/0.5/10P20 | 10/10<br>10/10<br>10/10<br>10/10<br>10/15<br>10/15<br>10/15<br>10/10<br>10/10<br>10/15/15<br>15/15/20 | 6.3                     | 15                         |  |  |
| 30-50;50                 |  |   | 7.5                     | 18.75                      |  |  |
| 40-75;75                 |  |   | 15                      | 37.5                       |  |  |
| 50-100;100               |  |   | 18                      | 45                         |  |  |
| 75-150;150               |  |   | 25                      | 55                         |  |  |
| 100-200;200              |  |   | 50                      | 110                        |  |  |
| 150-300;300              |  |   | 60                      | 130                        |  |  |
| 200-400;400              |  |   |                         |                            |  |  |
| 300-600;600              |  |   | 80                      | 160                        |  |  |
| 400-800;800              |  |   |                         |                            |  |  |
| 500-1000;1000            |  |   |                         |                            |  |  |
| 1200-1500;1500           |  |   |                         |                            |  |  |

##### The complex variable technique parameters

| Rated primary current(A) | Accuracy classes combination  | Rated secondary output(VA)   | 1s thermal current (kA) | Rated dynamic current (kA) |
|--------------------------|---|--|-------------------------|----------------------------|
| 10-15-20                 | 0.2/0.2<br>0.2/0.5<br>0.5/0.5<br>0.2/10P10<br>0.5/10P10<br>0.2S/0.5/10P10<br>0.2S/0.5/10P20/10P20 | 10/10<br>10/10<br>10/10<br>10/15<br>10/15<br>10/10/15<br>15/15/20/20 | 2.7                     | 4.5                        |
| 15-20-30                 |   |  | 4.2                     | 6.6                        |
| 20-30-40                 |   |  | 6                       | 9                          |
| 30-40-50                 |   |  | 9                       | 11.5                       |
| 40-50-75                 |   |  | 11.3                    | 16.5                       |
| 50-75-100                |   |  | 16.8                    | 22                         |
| 75-100-150               |   |  | 24                      | 33                         |
| 100-150-200              |   |  | 33.6                    | 45                         |
| 150-200-300              |   |  | 45                      | 63                         |
| 200-300-400              |   |  | 45                      | 80                         |
| 300-400-500              |   |  | 45                      | 100                        |
| 500-600-800              |   |  | 80                      | 130                        |
| 600-800-1000             |   |  | 80                      | 130                        |

注：如果用户要求的参数超出上表范围。可与我公司协商确定。额定输出及其相应的准确级仅符合其中一项。

## LZZBW-10 Pillar Type Totally Enclosed Outdoor Insulation Pouring for Current Transformer

### Description

This current transformer is full enclosed and prop shape product. It is used for metering electric energy and current, relay protection in the electric power system up to rated frequency 50Hz or 60Hz and rated voltage 10kV, The transformers can be executed according to the standards IEC185 and GB1208-2006.

### Characteristic of structure

The type of current transformer is a full en-closed and prop shape product. It is made by outdoor resin (made in seitzerl and ciba, the typ is cw5837). The product has much merit, such as: electric arc resistances, ultraviolet ray and aging resistance, long working time, long creepage distance, little partial discharge and large caliber of resistance to over-voltage, etc. The primary winding, secondary winding and core are made up together and poured in the cast. The primary winding's terminal, P1 and P2, is on the product, and the secondary winding's stermlinal, 1S1-1S2 and 2S1-2S2, is leaded out underside of the product.

### Overall dimension drawing

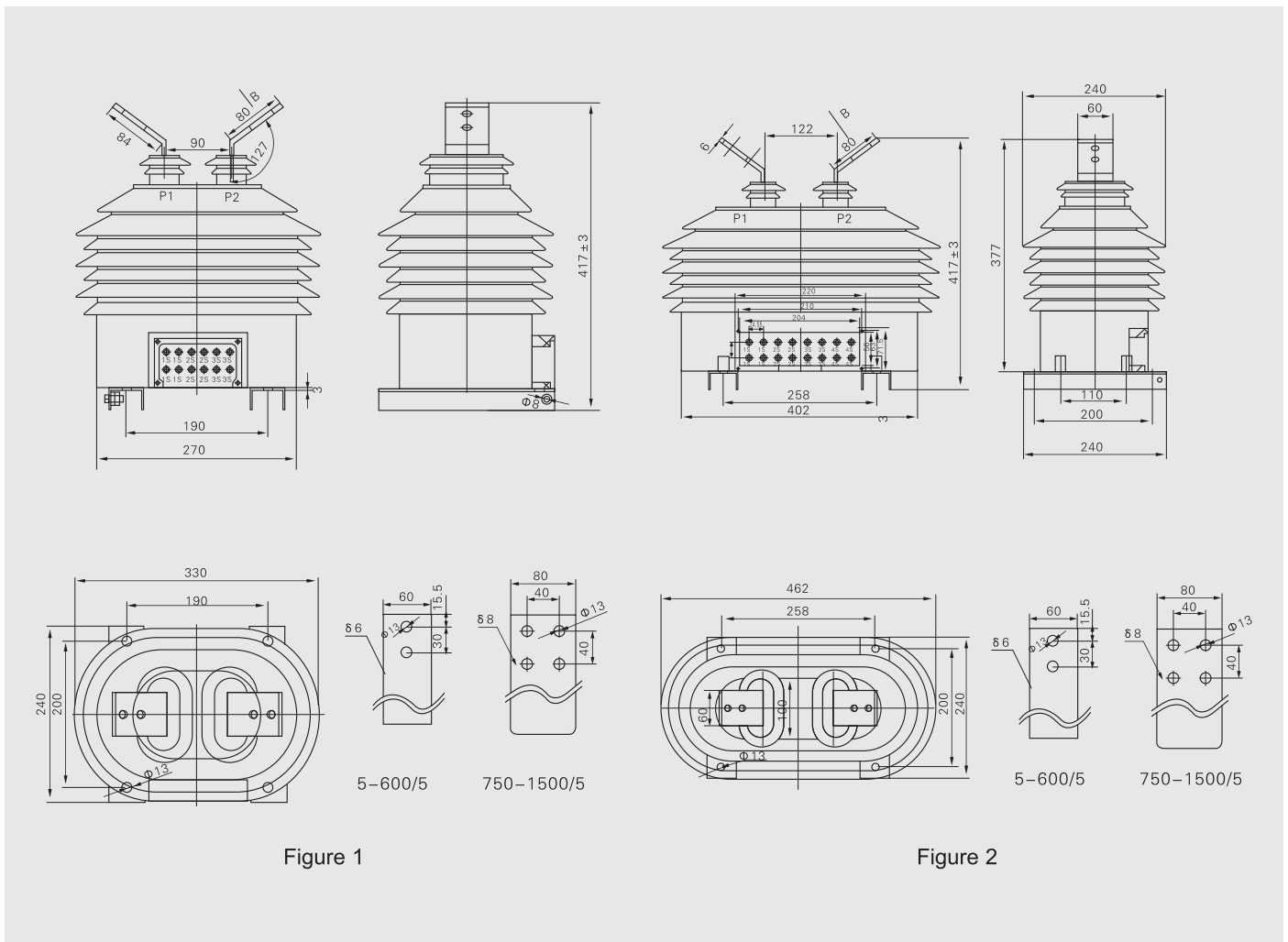


Figure 1

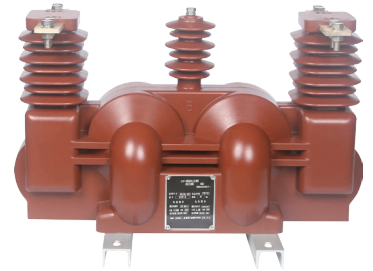
Figure 2

### JLSZV2-6,10W Outdoor Dry Type Combined Transformer

## OUTDOOR SINGLE-PHASE HIGH-VOLTAGE METERING BOX

### Technical data

- The current transformers are in accordance with GB17201
- Rated insulation level 12/42/75kV
- Rated frequency 50Hz or 60Hz
- Ambient temperature -25°C~+40°C
- Pollution class IV



Parameter voltage part

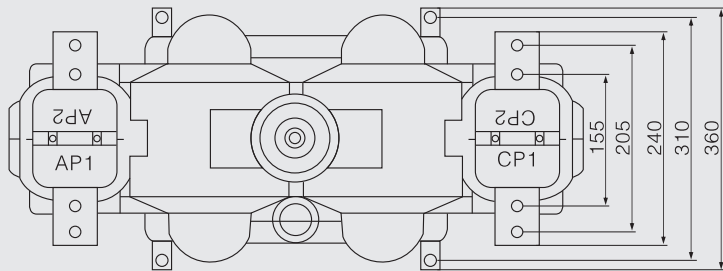
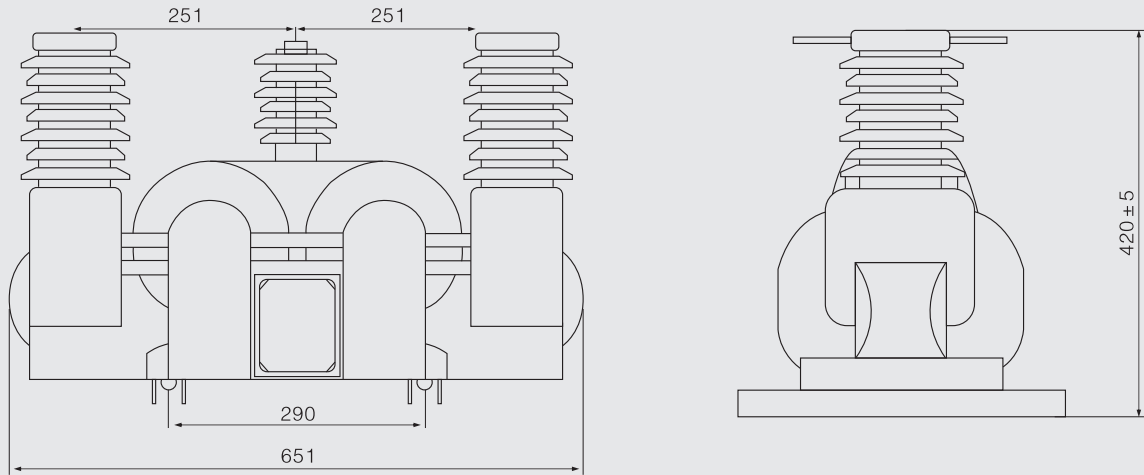
| Type       | Rated voltage ratio (V) | Accuracy class and rated secondary output (VA)      | Max. output (VA) | Rated insulation level (kV) |
|------------|-------------------------|---|------------------|-----------------------------|
| JLSZV2-6W  | 6000/100                | 0.2---2×20<br>0.5---2×50<br>1级---2×80<br>3级---2×200 | 2×400            | 7.2/32/60                   |
| JLSZV2-10W | 10000/100               |   |                  | 12/42/75                    |

Parameter of current part

| Rated primary current (A) | Single transformation ratio | Accuracy class and rated secondary output (VA) |      |     | 1s thermal current (kA) | Rated dynamic current (kA) |
|---------------------------|-----------------------------|--|------|-----|-------------------------|----------------------------|
|                           |                             | (0.2)S   | 0.5S | 0.5 |                         |                            |
| 7.5-10-15                 | 7.5                         | 10   | 10   | 15  | 1.0                     | 2.5                        |
| 10-15-20                  | 10                          |  |      |     | 1.5                     | 3.75                       |
| 15-20-30                  | 15                          |  |      |     | 2.4                     | 6.0                        |
| 20-30-40                  | 20、25                       |  |      |     | 3.0                     | 7.5                        |
| 30-40-50                  | 30                          |  |      |     | 4.5                     | 11                         |
| 40-50-75                  | 40                          |  |      |     | 8                       | 20                         |
| 50-75-100                 | 50                          |  |      |     | 9                       | 22.5                       |
| 75-100-150                | 75                          |  |      |     | 12                      | 30                         |
| 100-150-200               | 100                         |  |      |     | 16                      | 40                         |
| 150-200-300               | 150                         |  |      |     | 24                      | 60                         |
| 200-300-400               | 200、250                     |  |      |     | 32                      | 80                         |
| 300-400-500               | 300                         |  |      |     | 45                      |                            |
| 400-500-600               | 400                         |  |      |     | 60                      | 100                        |
| 500-600-800               | 500-1000                    |  |      |     | 80                      |                            |
| 600-800-1000              |                             |  |      |     |                         |                            |

### JLSZV2-6, 10W Outdoor Dry Type Combined Transformer

#### Overall dimension drawing



| Primary current (A) | H  |
|---------------------|----|
| 10-600A             | 8  |
| 800-1000A           | 10 |

#### Wiring diagram

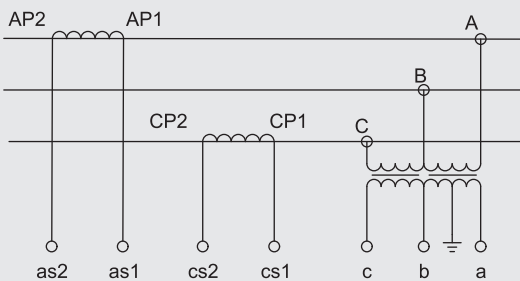


Figure 1

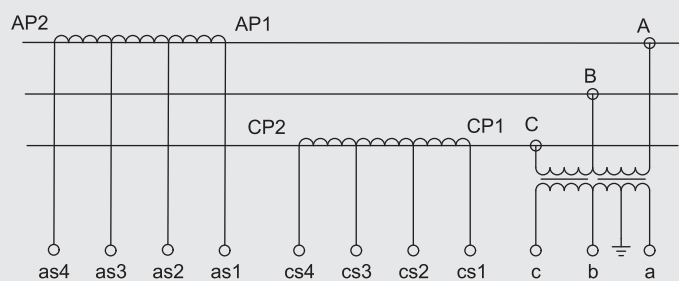
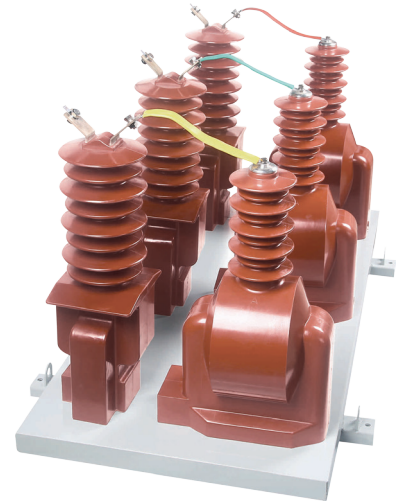


Figure 2

### JLSZY-36W Outdoor High Voltage Electrical Energy Measuring Box (Combined Transformer)

#### Technical data

- Pollution class: class II ;
- This combination transformer by the combination of single-phase voltage transformer bearing in mind that single-phase current transformer into a three-phase. Voltage transformer with Y/Yo connection:
- This type of combination of transformers to meet with GB1208 "current transformer", GB1207 electromagnetic voltage transformer, GB17201 combined transformer, "requirements
- Rated voltage of the voltage transformer ratio: 3600/100 (V). Rated secondary output: 20VA 0.5 0.2 50VA;
- Load power factor COS towel = 0.8 (lag);
- Current transformer meter Safety factor  $F_s \leq 10$ ;
- Other technical parameters are as follows:
- Ambient temperature:  $-30^{\circ}\text{C} \sim 40^{\circ}\text{C}$ . The daily average temperature does not exceed  $30^{\circ}\text{C}$ ;
- Altitude:  $\leq 4000\text{m}$ ;



| Rated current ratio | Class combination | Accuracy class and rated output (VA) $\text{COS}\Phi=0.8$ |          | Rated short time thermal current (kA) | Rated Dynamic current(KA) |
|---------------------|-------------------|---|----------|---------------------------------------|---------------------------|
|                     |                   | 0.2S  | 0.5      |                                       |                           |
| 5/5-75/5            | 0.2(S)<br>0.5     | 10 or 15  | 10 or 15 | 100 I1n                               | 250 I1n                   |
| 100/5-200/5         |                   |   |          | 150 I1n                               | 375 I1n                   |
| 300/5               |                   |   |          | 31.5                                  | 80                        |
| 400/5-600/5         |                   |   |          | 63                                    | 130                       |

| Rated voltage ratio | Class combination | Accuracy class and rated output (VA) $\text{COS}\Phi=0.8$ |     | Limiting thermal output of secondary winding(kA) |
|---------------------|-------------------|---|-----|--|
|                     |                   | 0.2   | 0.5 |  |
| 36/0.1              | 0.2               | 30  | 60  | 360  |
| 33/0.1              | 0.5               |   |     |  |

Note: If the required parameter is beyond the above range, it can be discussed and confirmed with us.

#### Description

This type of voltage, current combined transformer (also known as energy metering box) for AC 50Hz, rated voltage 36kv three-phase power lines on the A, B, and C three-phase were active and reactive energy metering. Apply to rural outdoor substation. Also be used for the small change of the industrial enterprises, power distribution. The product distribution table for three-phase four-wire active and reactive watt-hour meter.

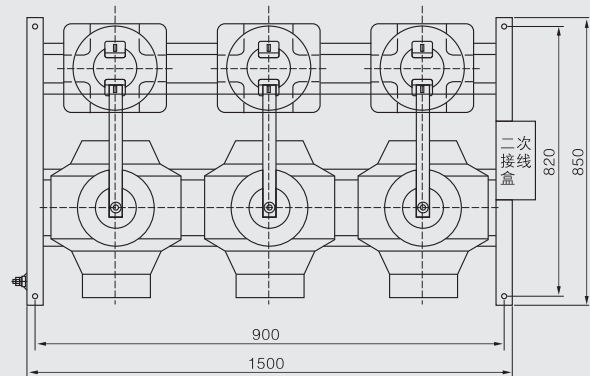
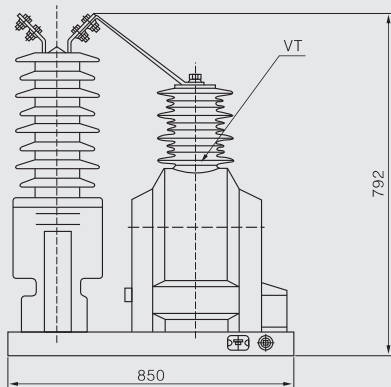
### JLSZY-36W Outdoor High Voltage Electrical Energy Measuring Box (Combined Transformer)

#### Characteristic of structure

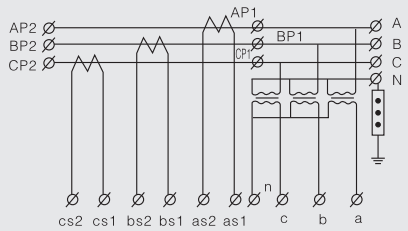
The combined transformer for outdoor epoxy casting, all closed, the pillar structure. As a result of outdoor epoxy casting. Arc resistance, UV resistance, aging resistance, long life, maintenance-free characteristics. Of the product by three single-phase voltage transformer composed of a "Y" type connection, three current transformers are connected in series A, B, and C, phase, and the current transformer secondary winding with a tap can be obtained with different current.

Secondary outlet leads through the metal hose. Wiring, safe and reliable and able to achieve the anti-tamper measures. There are four mounting holes for installation in the base channel.

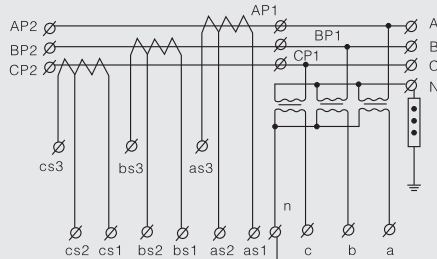
#### Outline dimension



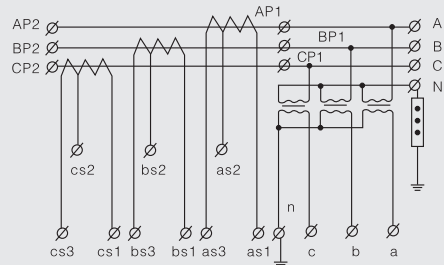
Combined transformer connection drawing



1、Single ratio connection drawing



1、Small ratio connection drawing



2、Big ratio connection drawing

2、Double ratio connection drawing