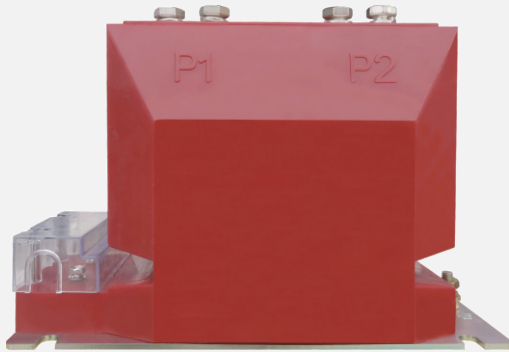
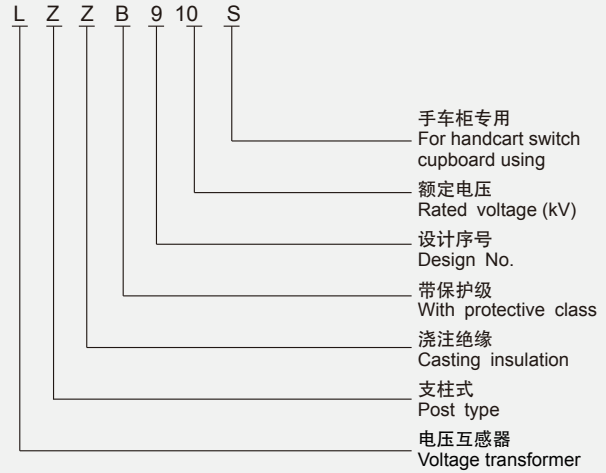


### 10kV current transformer



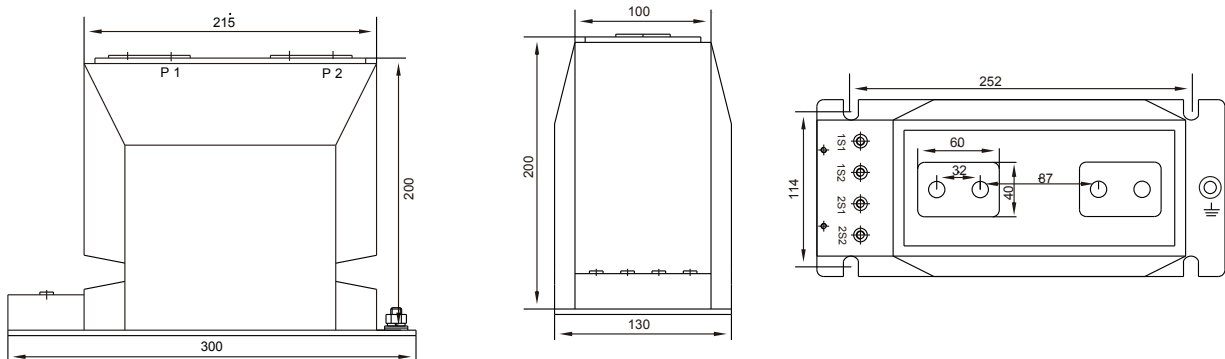
#### 型号含义/Model description



#### 技术参数/Technical data

额定一次电流 Rated primary current(A)	准确级次组合 Accuracy Combination	额定二次输出 Rated secondary output (VA)		一秒热稳定电流 1s thermal current (kA)	动稳定电流 Rated dynamic current (kA)			
		0.2S	0.2(0.5)					
5	0.2S 0.5S 0.2 0.5	10	10	0.9	2.25			
10				1.8	6.75			
15				2.7	5.6			
20				3.6	9			
25				4.5	11.25			
30				5.4	13.5			
40				7.2	18			
50				9	22.5			
75				13.5	33.75			
100				18	45			
150				27	66			
200				33	80			
300				45	90			
400				56	100			
500								
600								

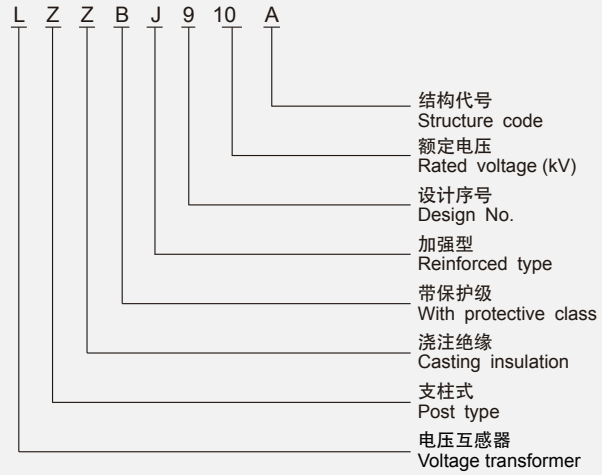
#### 外形安装尺寸/Overall dimension drawing



### 10kV current transformer



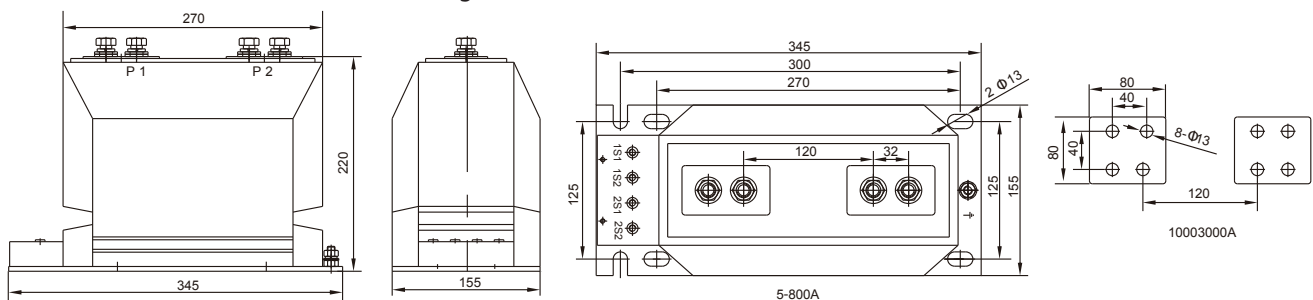
#### 型号含义/Model description



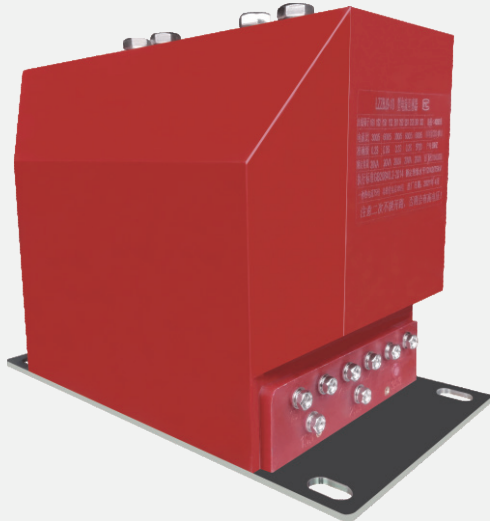
#### 技术参数/Technical date

额定一次电流 Rated primary current (A)	准确级次组合 Accuracy Combination	额定二次输出 Rated secondary output (VA)			一秒热稳定电流 1s thermal current (kA)	动稳定电流 Rated dynamic current (kA)
		0.2S(0.2)	0.5S(0.5)	10P10		
5					0.75	1.8
10					1.44	3.6
15					2	5
20					3	7.5
25					4	10
30					5	12.5
40					6.3	15
50					8.1	20
75					16.2	40.5
100					21.6	54
150	0.2S/10P10	10	10	15	36	80
200	0.5S/10P10					
300	0.2/10P10					
400	0.5/10P10					
500						
600					63	130
800						
1000						
1200						
1500						
2000					80	160
2500						
3000						

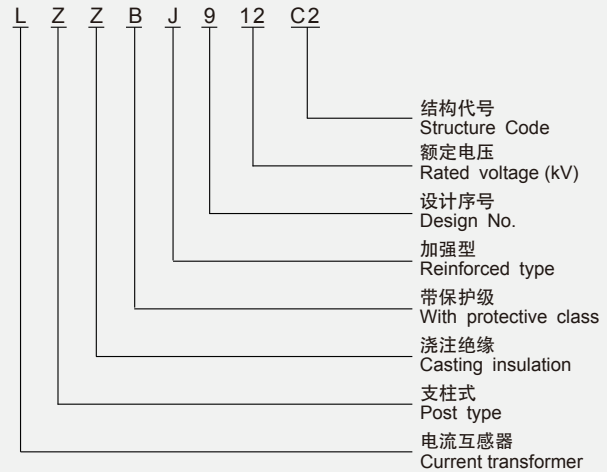
#### 外形安装尺寸/Overall dimension drawing



### 10kV current transformer



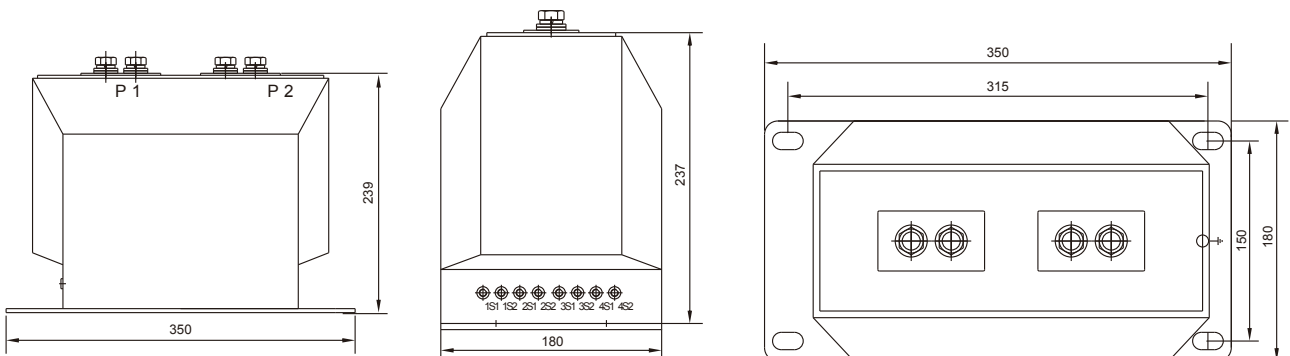
#### 型号含义/Model description



#### 技术参数/Technical data

额定一次电流 Rated primary current (A)	准确级次组合 Accuracy Combination	额定二次输出 Rated secondary output (VA)						一秒热稳定电流 1s thermal current (kA)	动稳定电流 Rated dynamic current (kA)	备注 Notes
		0.2S	0.5S	0.2	0.5	10P10	10P30			
5-150							150	375		
200	0.2S/10P30			10	15	15	20	36	80	Two windings
300-800	0.5S/10P30							45	100	
1000-1500	0.2/10P30							63	130	
2000-3150	0.5/10P30							80	160	
5150	10P10/10P10			15	20	20	30	80	160	
5150								150	375	Three windings
200	0.2S/0.2/10P30				15	15	20	36	80	
300-800	0.2S/0.5/10P30							45	100	
1000-1500	0.2/0.2/10P30							63	130	
2000-3150	0.5/0.5/10P30			20	20	20	30	80	160	

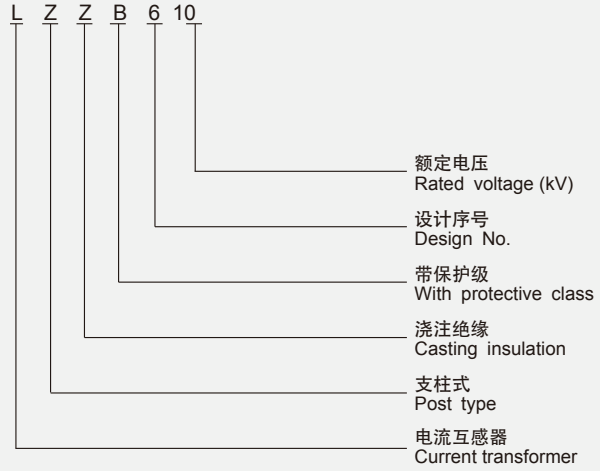
#### 外形安装尺寸/Overall dimension drawing



### 10kV current transformer



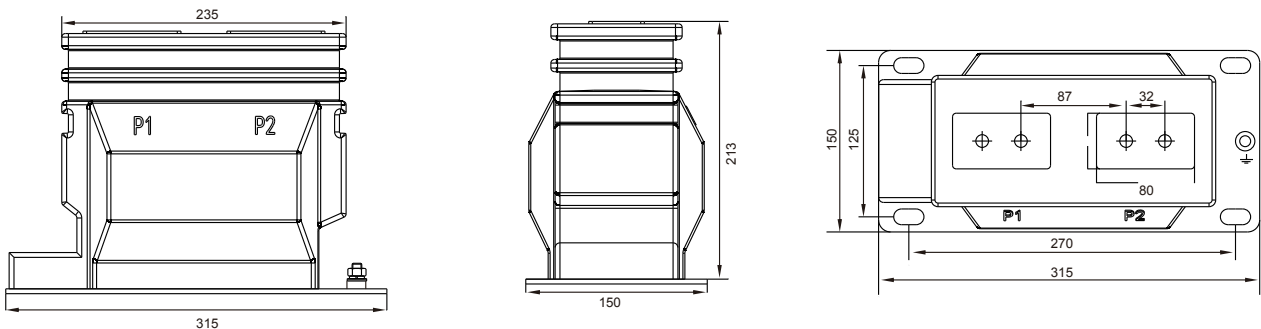
#### 型号含义/Model description



#### 技术参数/Technical data

额定一次电流 Rated primary current (A)	准确级次组合 Accuracy Combination	额定二次输出 Rated secondary output (VA)			一秒热稳定电流 1s thermal current (kA)	动稳定电流 Rated dynamic current (kA)
		0.2S	0.2(0.5)	10P		
5	0.2S/10P10 0.5S/10P10 0.2/10P10 0.5/10P10	10	10	15	0.9	2.25
10					1.8	6.75
15					2.7	5.6
20					3.6	9
25					4.5	11.25
30					5.4	13.5
40					7.2	18
50					9	22.5
75					13.5	33.75
100					18	45
150					27	66
200					33	80
300					45	90
400					56	100

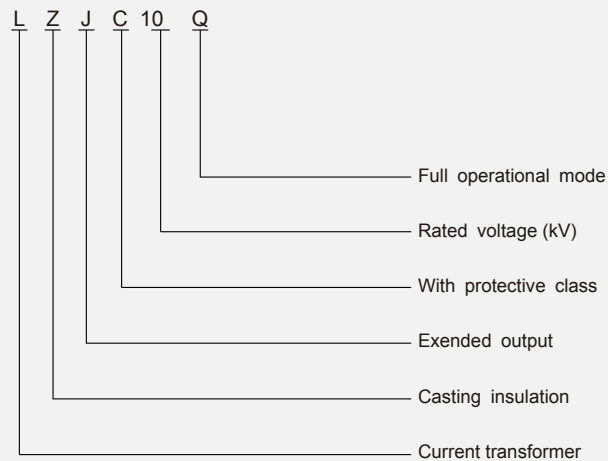
#### 外形安装尺寸/Overall dimension drawing



### 10kV current transformer



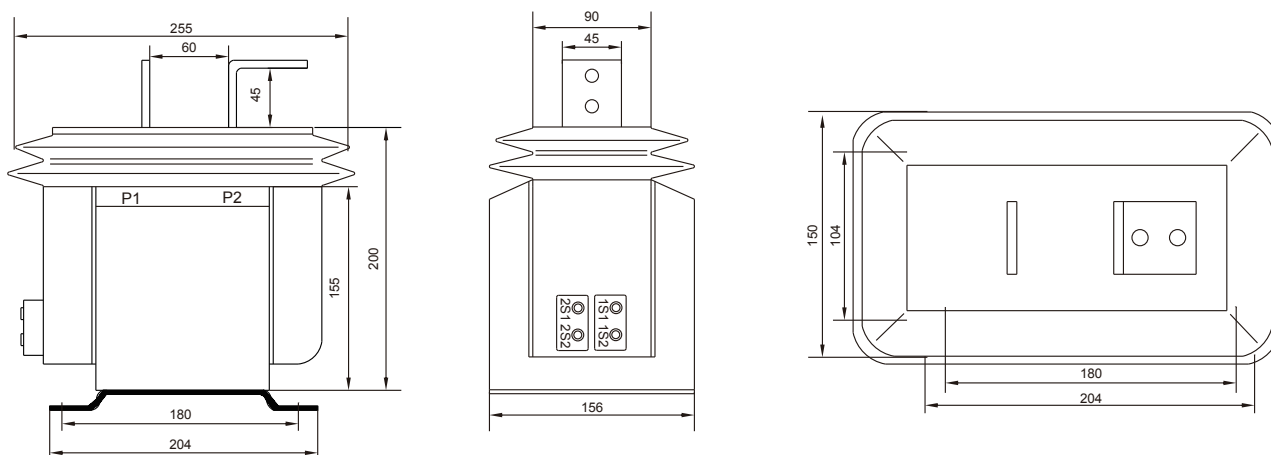
#### 型号含义/Model description



#### 技术参数/Technical data

Rated primary current (A)	Accuracy Combination	Rated secondary output (VA)					1s thermal current (kA)	Rated dynamic current (kA)
		0.2S 0.5S	0.2	0.5	10P10	10P15		
5-40	0.2(S)/10P 0.5(S)/10P						90	220
50-400							100	250
500		10	10	10	15	15	50	100
600		56	110					
800		75	110					
1000		80	130					

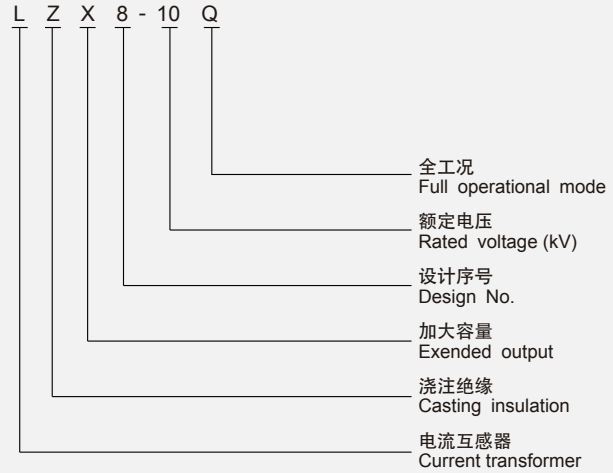
#### 外形安装尺寸/Overall dimension drawing



### 10kV current transformer



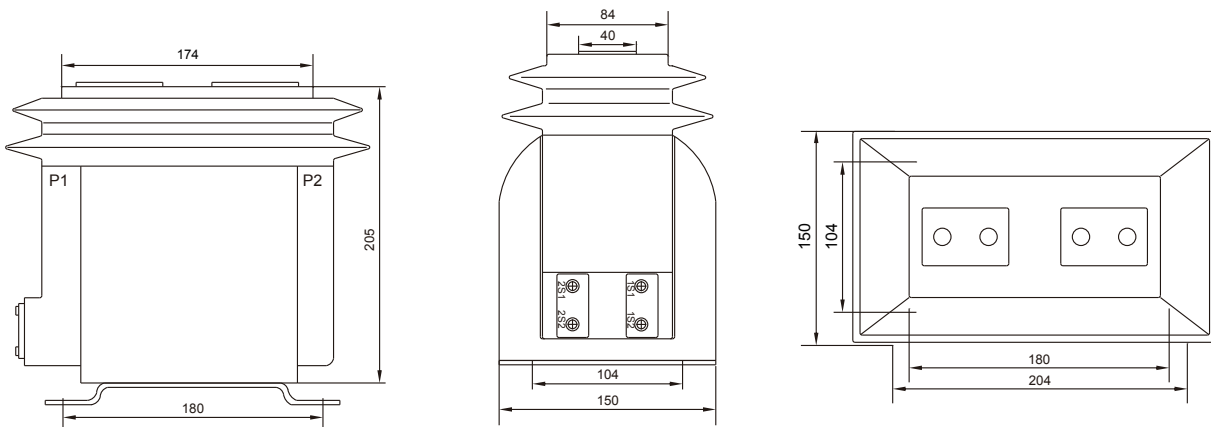
#### 型号含义/Model description



#### 技术参数/Technical data

额定一次电流 Rated primary current (A)	准确级次组合 Accuracy Combination	额定二次输出 Rated secondary output (VA)					一秒热稳定电流 1s thermal current (kA)	动稳定电流 Rated dynamic current (kA)
		0.2S 0.5S	0.2	0.5	10P10	10P15		
5-40							90	220
50-400							100	250
500	0.2(S)/10P 0.5(S)/10P	10	10	10	15	15	50	100
600							56	110
800							75	110
1000							80	130

#### 外形安装尺寸/Overall dimension drawing



### 10kV current transformer



#### 型号含义/Model description

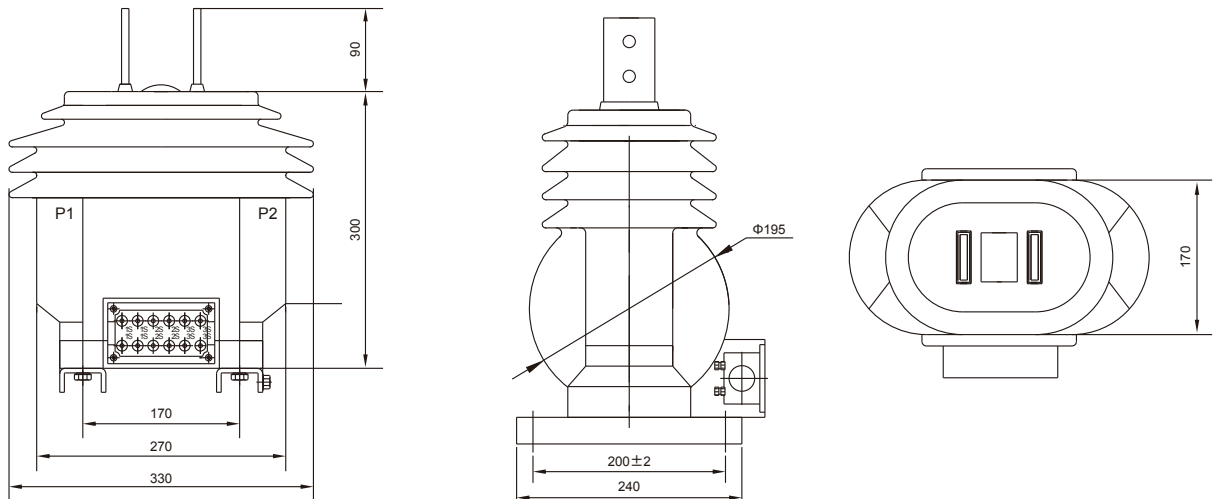
L Z Z W 10 Q

- Q 全工况  
Full operational mode
- 10 额定电压  
Rated voltage (kV)
- W 户外式  
Outdoor type
- Z Z 浇注绝缘  
Casting insulation
- L 支柱式  
Post type
- 电流互感器  
Current transformer

#### 技术参数/Technical data

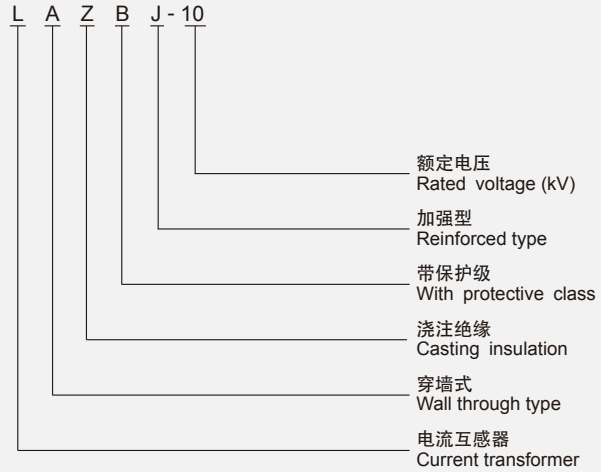
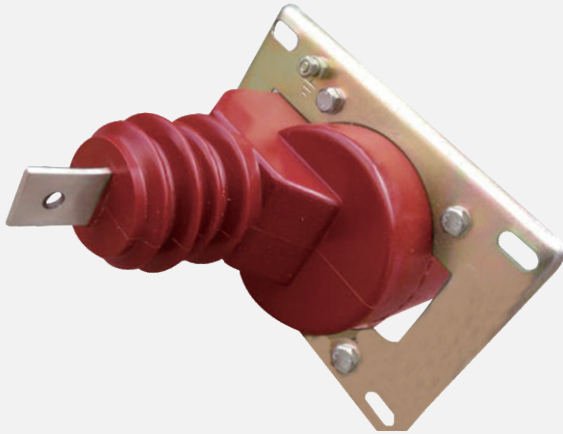
额定一次电流 Rated primary current (A)	准确级次组合 Accuracy Combination	额定二次输出 Rated secondary output (VA)			一秒热稳定电流 1s thermal current (kA)	动稳定电流 Rated dynamic current (kA)
		0.2(S)	0.5	10P15		
10	0.2(S)/10P15 0.5(S)/10P15 0.2(S)/0.5/10P15 0.2(S)/10P15/10P15	10	15	15	1.44	3.6
15					3	7.5
20、25					4	10
30					6.3	15
40、50					9	22.5
60					12.6	31.5
75					15	37.5
100					18	45
150					25	55
200					50	110
250-600	60	130				
750-1000	80	160				
1200-1500	100	160				

#### 外形安装尺寸/Overall dimension drawing



### 10kV current transformer

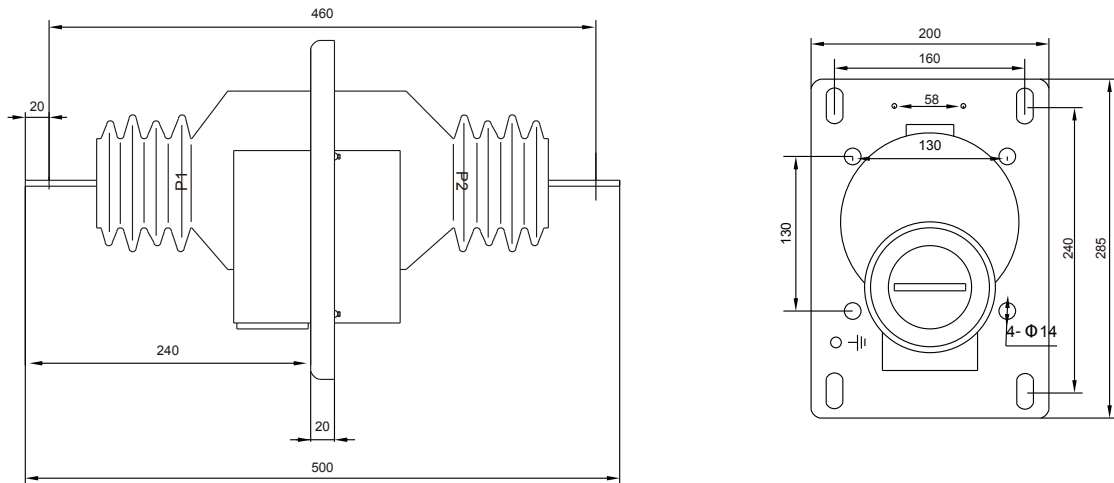
#### 型号含义/Model description



#### 技术参数/Technical date

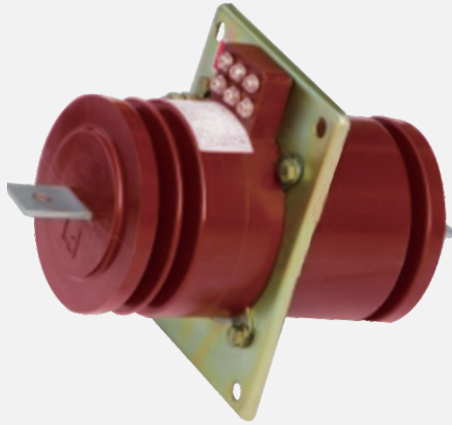
额定一次电流 Rated primary current (A)	准确级次组合 Accuracy Combination	额定二次输出 Rated secondary output (VA)					一秒热稳定电流 1s thermal current (kA)	动稳定电流 Rated dynamic current (kA)
		0.2S 0.5S	0.2	0.5	10P10	10P15		
5-200							90	200
300、400	0.2(S)/10P10		10	10			24.5	44
500	0.5(S)/10P10	10			15	15	32	80
600	0.2(S)/10P15		15	15			32	80
800-1000	0.5(S)/10P15						63	100

#### 外形安装尺寸/Overall dimension drawing

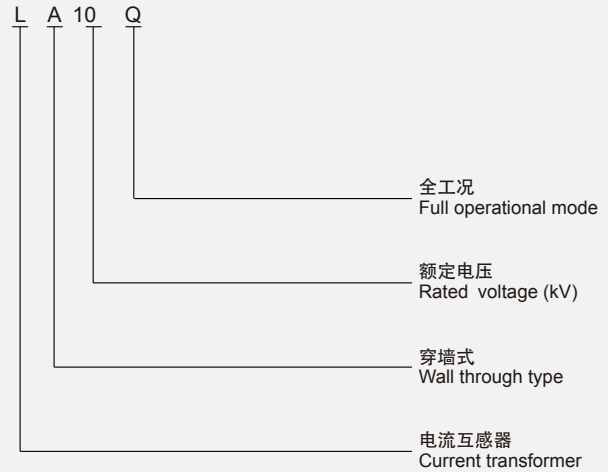




### 10kV current transformer



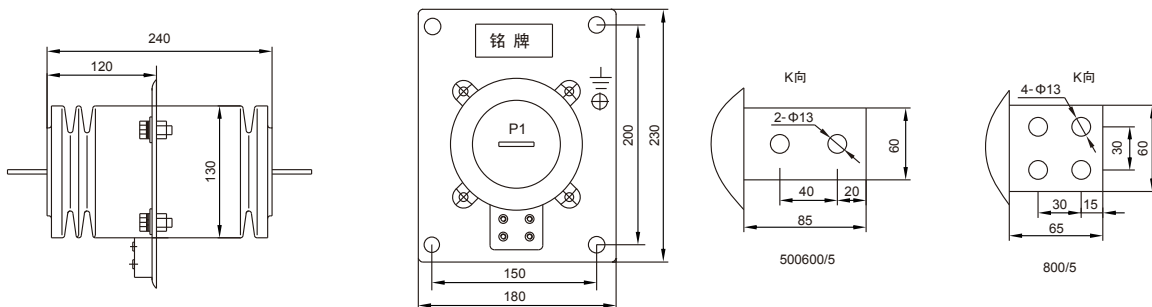
#### 型号含义/Model description



#### 技术参数/Technical data

额定一次电流 Rated primary current (A)	准确级次组合 Accuracy Combination	额定二次输出 Rated secondary output (VA)					一秒热稳定电流 1s thermal current (kA)	动稳定电流 Rated dynamic current (kA)
		0.2S 0.5S	0.2	0.5	10P10	10P15		
5200	0.2(S)/10P10 0.5(S)/10P10		10	10			90	200
300、400		10					24.5	44
500				15	15	15	32	80
600				15	15		32	80
800-1000							63	100

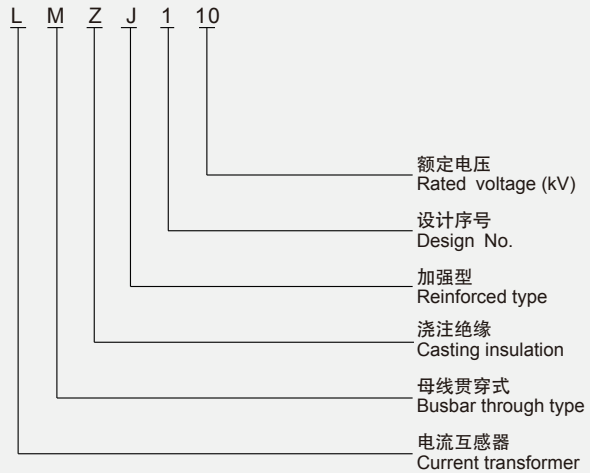
#### 外形安装尺寸/Overall dimension drawing



### 10kV current transformer



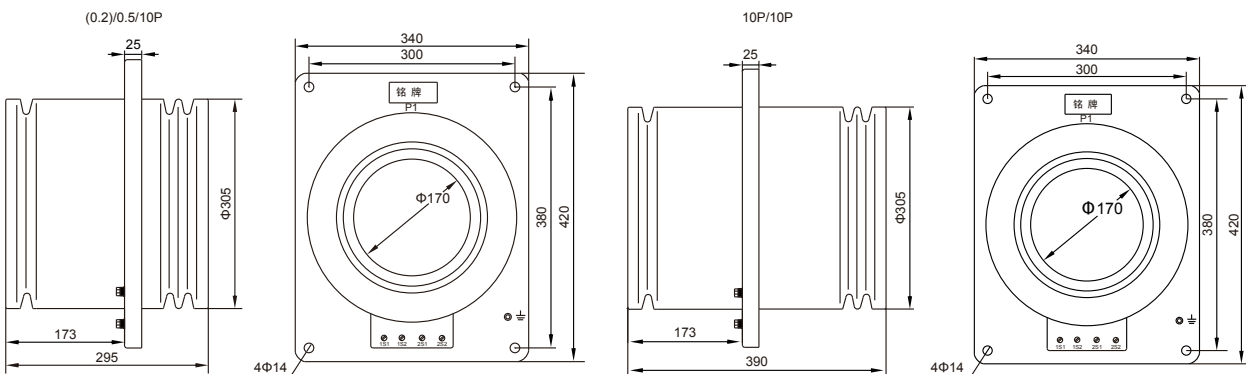
#### 型号含义/Model description



#### 技术参数/Technical data

型号 Type	准确级次组合 Accuracy Combination	额定二次电流 Rated secondary current (A)	准确级次组合 Accuracy classes combination	额定二次输出 Rated secondary output (VA)
LMZJ1-10	300-800	5A、1A	0.2/0.2	10/10
			0.2/0.5	10/10
			0.2/10P10	10/15
			0.5/10P10	10/15
LMZJ1-10	3000-8000		0.2/0.2	60/60
			0.2/0.5	60/60
			0.2/10P15	60/100
			0.5/10P15	60/100
			10P15/10P15	50/60

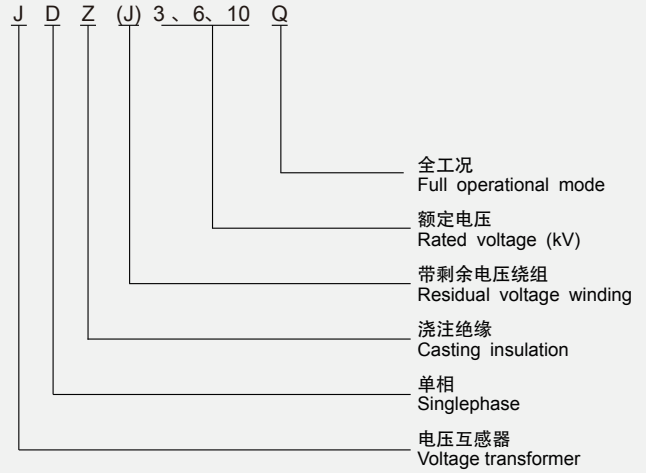
#### 外形安装尺寸/Overall dimension drawing



### 10kV current transformer



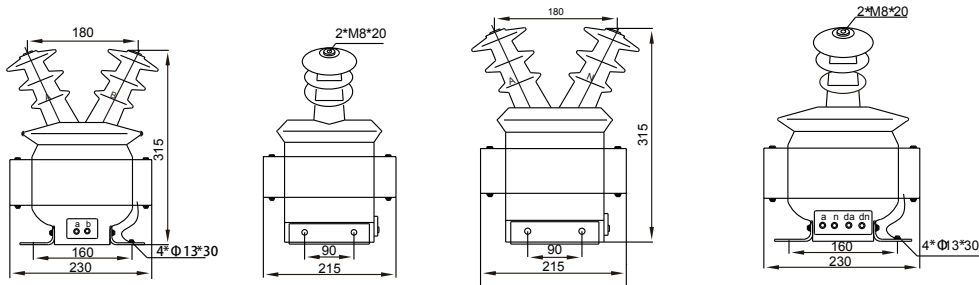
#### 型号含义/Model description



#### 技术参数/Technical data

型号 Type	额定电压比 Rated voltage ratio (V)	额定二次输出 Rated secondary output (VA)						极限输出 Max. output (VA)	额定绝缘水平 Rated insulation level (kV)	
		0.2	0.5	1	3	0.2/0.2 0.2/0.5	0.5/0.5			6P
JDZ-3Q	3000/100	20	20	50	80	15/15	30/30	/	200	3.6/25/40
JDZ-6Q	6000/100	30	50	80	200	15/15	30/30		400	7.2/32/60
JDZ-10Q	10000/100	30	80	150	300	15/20	50/50		500	12/45/75
JDZJ-3Q	$\frac{3000}{\sqrt{3}} / \frac{100}{\sqrt{3}} / \frac{100}{\sqrt{3}}$	20	30	50	80	/	/	50	500	3.6/25/40
JDZJ-6Q	$\frac{6000}{\sqrt{3}} / \frac{100}{\sqrt{3}} / \frac{100}{\sqrt{3}}$		50	80	200				400	7.2/32/60
JDZJ-10Q	$\frac{10000}{\sqrt{3}} / \frac{100}{\sqrt{3}} / \frac{100}{\sqrt{3}}$		50	80	200				400	12/42/75
	$\frac{10000}{\sqrt{3}} / \frac{100}{\sqrt{3}} / \frac{100}{\sqrt{3}}$	/	/	/	/	15/15	25/25	100	200/200	

#### 外形安装尺寸/Overall dimension drawing



#### 接线图/Wiring diagram

