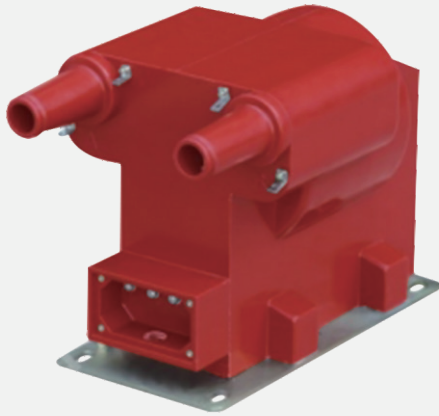
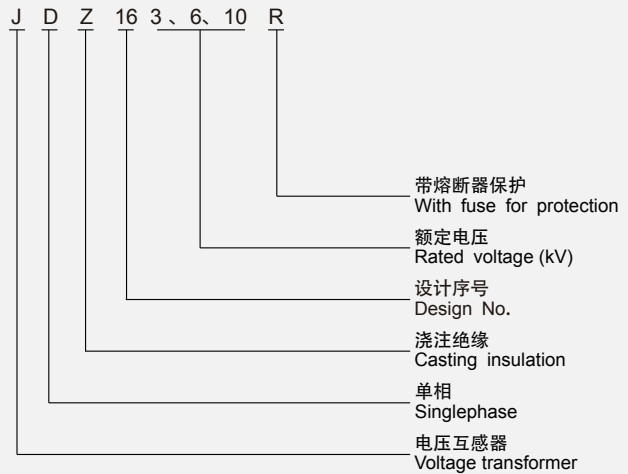


### Voltage transformer with fuse



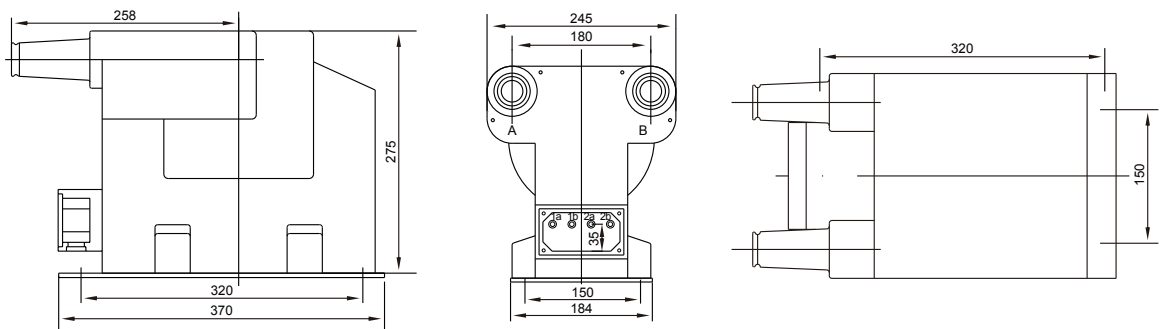
#### 型号含义/Model description



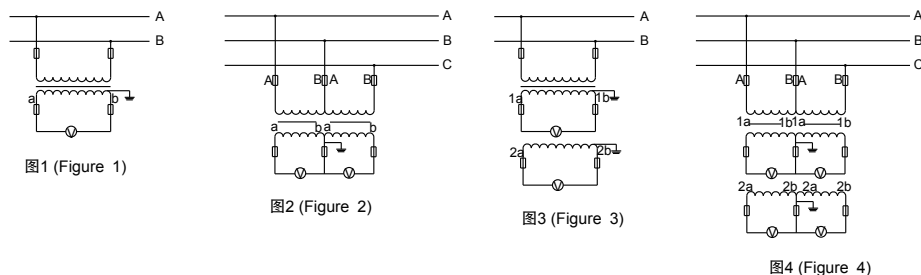
#### 技术参数/Technical data

型号 Type	额定电压比 Rated voltage ratio (V)	额定二次输出 Rated secondary output (VA)						极限输出 Max.output (VA)	额定绝缘水平 Rated insulation level (kV)	接线图 Wiring diagram
		0.2	0.5	1	3	0.2/0.2 0.2/0.5	0.5/0.5			
JDZ16-3R	3000/100								3.6/25/40	图1 图2 Figure 12
JDZ16-6R	6000/100	30	90	250	400	/	/	1000	7.2/32/60	
JDZ16-10R	10000/100									
	10000/220									
	10000/100/100	/	/	/	/	20/20 20/30	50/50	500/500	图3 图4 Figure 34	
10000/100/220	/	/	/	/	0.2/3-30/400 0.5/3-90/400		800/1000			

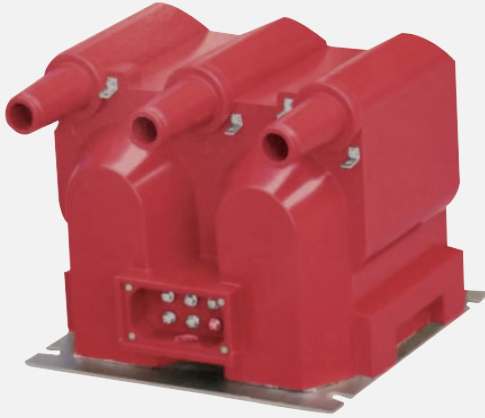
#### 外形安装尺寸/Overall dimension drawing



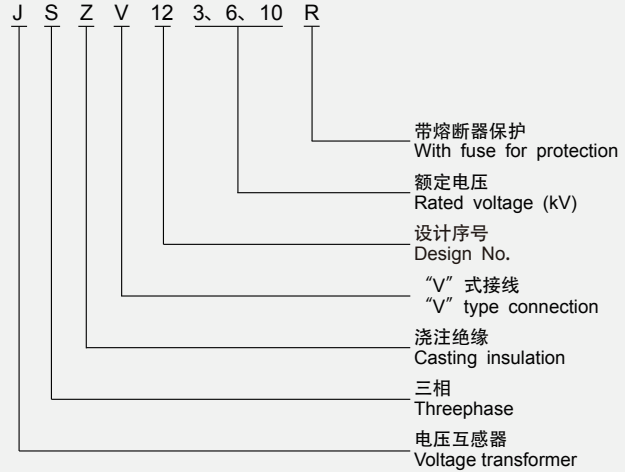
#### 接线图/Wiring diagram



### Voltage transformer with fuse



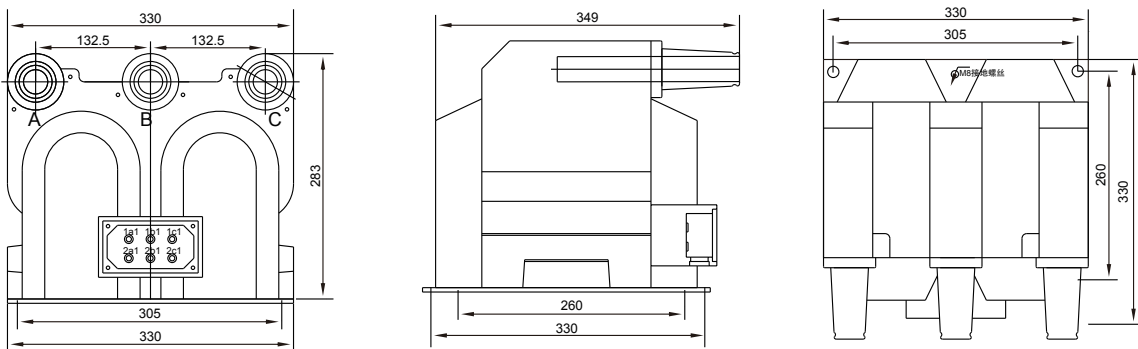
#### 型号含义/Model description



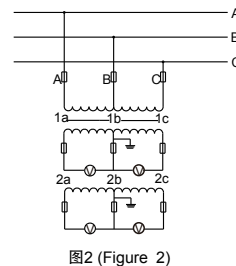
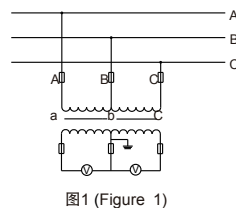
#### 技术参数/Technical data

型号 Type	准确级及三相额定二次输出 (VA) Accuracy class Threephase rated secondary output	极限输出 Max.output (VA)	额定绝缘水平 Rated insulation level (kV)	接线图 Wiring diagram
3000/100	0.2-30 $\times\sqrt{3}$ 0.5-90 $\times\sqrt{3}$ 1-250 $\times\sqrt{3}$	600 $\times\sqrt{3}$	3.6/25/40	图1 Figure 1
6000/100			7.6/25/40	
10000/100			12/42/75	
3000/100/100	0.2/0.2-20 $\times\sqrt{3}/20 \times\sqrt{3}$ 0.5-90 $\times\sqrt{3}$ 1-250 $\times\sqrt{3}$	500 $\times\sqrt{3}$	3.6/25/40	图2 Figure 2
6000/100/100			7.6/25/40	
10000/100/100			12/42/75	
10000/100/200			0.2/3-30 $\times\sqrt{3}/300$ 0.5/3-90 $\times\sqrt{3}/300$	

#### 外形安装尺寸/Overall dimension drawing



#### 接线图/Wiring diagram

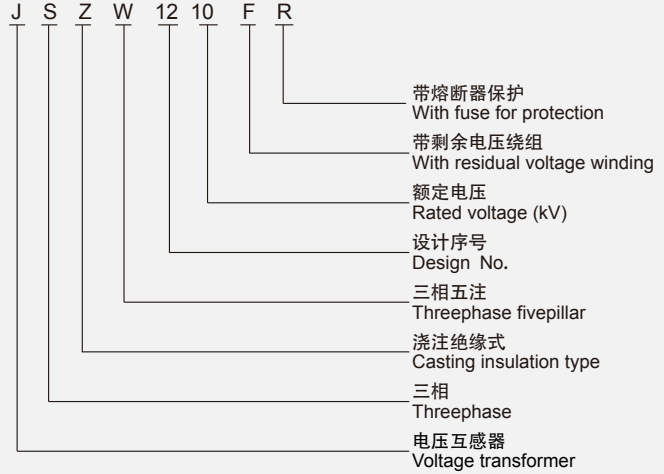




### Voltage transformer with fuse



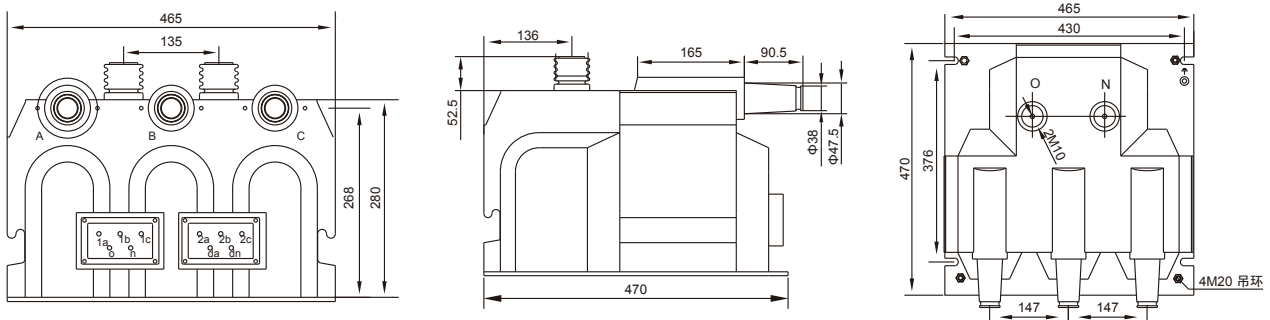
#### 型号含义/Model description



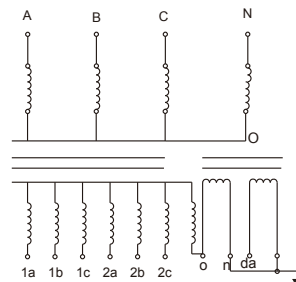
#### 技术参数/Technical date

额定电压比 Rated voltage ratio (V)	准确级及三相额定二次输出 (VA) Accuracy class Threephase rated secondary output	极限输出 Max.output (VA)	额定绝缘水平 (kV) Rated insulation level
$\frac{10000}{\sqrt{3}} / \frac{220}{\sqrt{3}} / \frac{100}{3}$	3/6P(3P)3*1000/100	3*1200	12/4
$\frac{10000}{\sqrt{3}} / \frac{100}{\sqrt{3}} / \frac{220}{\sqrt{3}} / 100$	0.5/3/6P(3P)3*50 / 3*1000/100	3*200/3*1200	2/75

#### 外形安装尺寸/Overall dimension drawing



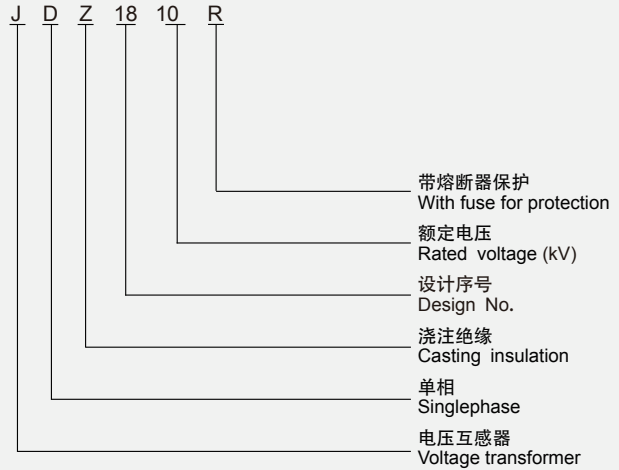
#### 接线图/Wiring diagram



### Voltage transformer with fuse



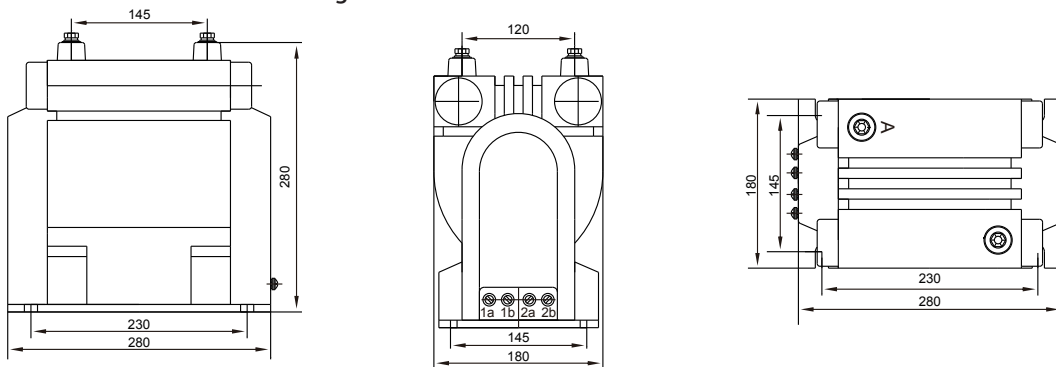
#### 型号含义/Model description



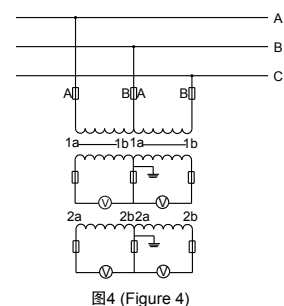
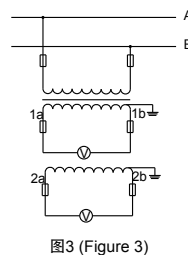
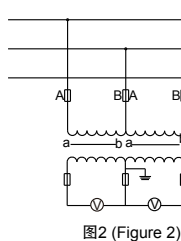
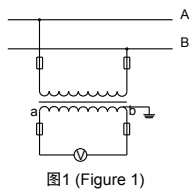
#### 技术参数/Technical data

型号 Type	额定电压比 Rated voltage ratio (V)	额定二次输出 Rated secondary output (VA)						极限输出 Max. output (VA)	额定绝缘水平 Rated insulation level (kV)
		0.2	0.5	1	3	0.2/0.2 0.2/0.5	0.5/0.5		
JDZ18-3R	3000/100	30	80	150	250	/	/	600	3.6/25/40
JDZ18-6R	6000/100								7.2/32/60
	10000/100								
JDZ18-10R	10000/220	/	/	/	/	15/15 15/20	40/40	300/300	12/42/75
	10000/100/100								
	10000/100/220								

#### 外形安装尺寸/Overall dimension drawing



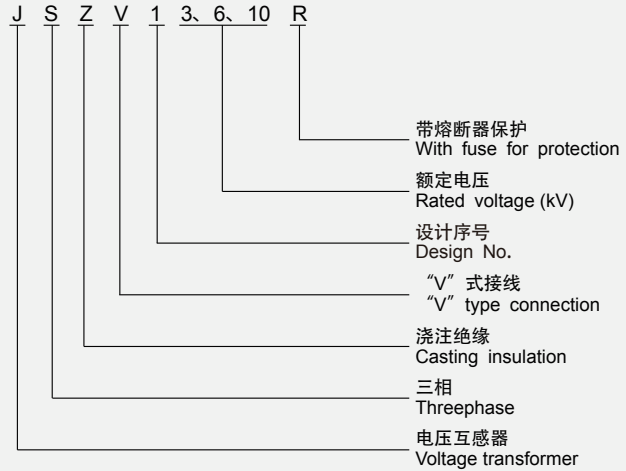
#### 接线图/Wiring diagram



### Voltage transformer with fuse



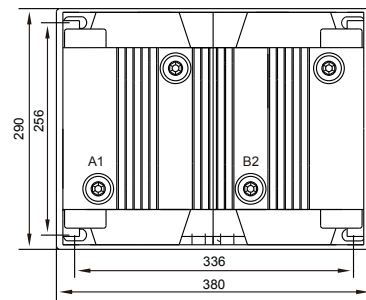
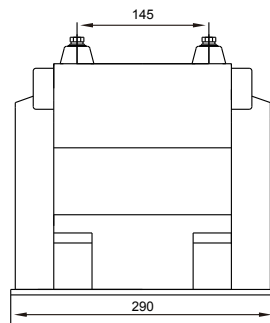
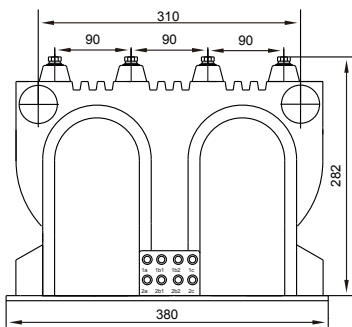
#### 型号含义/Model description



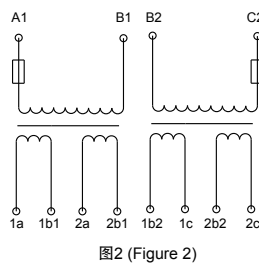
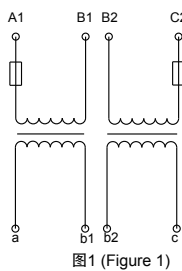
#### 技术参数/Technical date

额定电压比 Rated voltage ratio (V)	额定二次输出_ Rated secondary output (VA)						极限输出 Max. output (VA)	额定绝缘水平 Rated insulation level (kV)	接线图 Wiring diagram
	0.2	0.5	1	3	0.2/0.2 0.2/0.5	0.5/0.5			
3000/100								3.6/25/40	1 Figure 1
6000/100	30	80	150	/	/	/	800	7.2/32/60	
10000/100								12/42/75	
3000/100/100							400/400	3.6/25/40	2 Figure 2
6000/100/100	/	/	/	/	20/20	40/40		7.2/32/60	
10000/100/100								12/42/75	
10000/100/220	/	/	/	/	0.2/3-30/200 0.5/3-80/200		600/800		

#### 外形安装尺寸/Overall dimension drawing



#### 接线图/Wiring diagram



#### 接线原理图/Principle diagram

