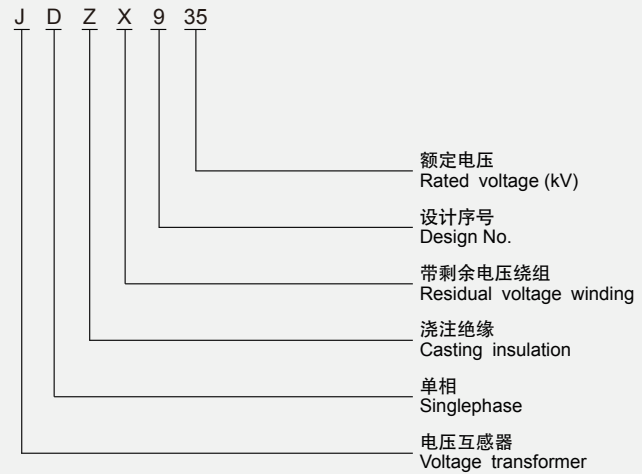


35kV Voltage transformer



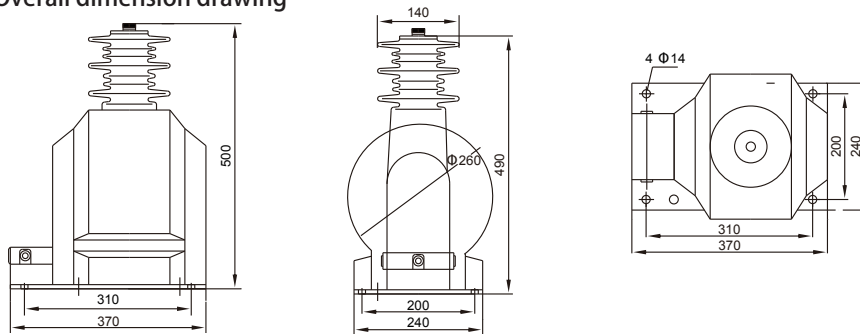
型号含义/Model description



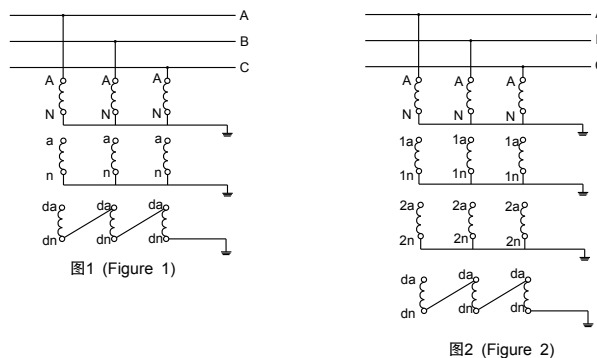
技术参数/Technical date

额定电压比 Rated voltage ratio (V)	额定二次输出 Rated secondary output (VA)							极限输出 Max. output (VA)	额定绝缘水平 Rated insulation level (kV)	备注 Notes	接线图 Wiring diagram
	0.2	0.5	1	3	0.2/0.2 0.2/0.5	0.5/0.5	6P(3P)				
$\frac{35000}{\sqrt{3}}/\frac{100}{\sqrt{3}}/\frac{100}{3}$	30	90	180	500	/	/	100	600	40.5/95/200	等同 "VKI"	图 1 Figure 1
$\frac{35000}{\sqrt{3}}/\frac{100}{\sqrt{3}}/\frac{100}{\sqrt{3}}/\frac{100}{3}$	/	/	/	/	15/15 15/20	45/45	100	300/300		Same as "VKI"	图 2 Figure 2

外形安装尺寸/Overall dimension drawing



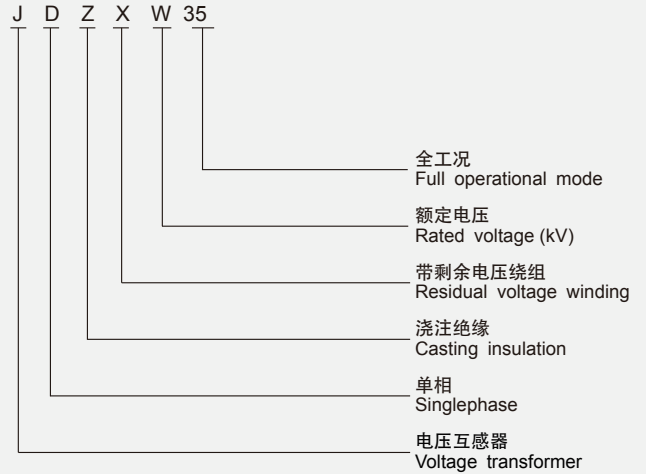
接线图/Wiring diagram



35kV Voltage transformer



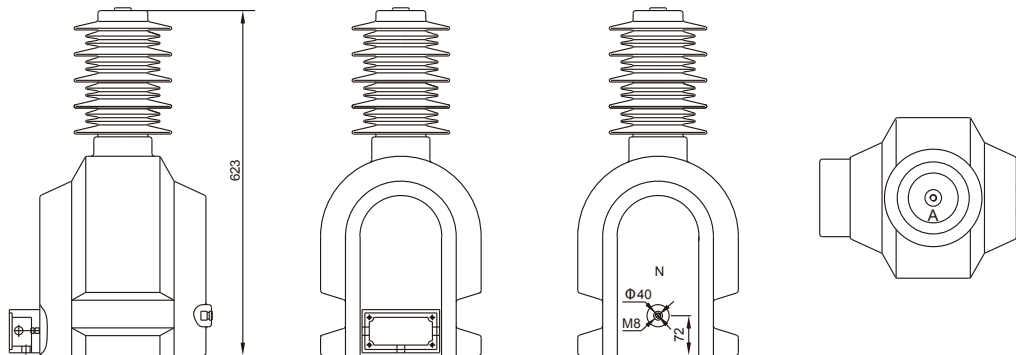
型号含义/Model description



技术参数/Technical data

额定电压比 Rated voltage ratio (kV)	额定二次输出 Rated secondary output (VA)								极限输出 Max. output (VA)	额定绝缘水平 Rated insulation level (kV)	接线图 Wiring diagram
	0.2	0.5	1	3	0.2/0.2	0.2/0.5	0.5/0.5	6P(3P)			
$\frac{35}{\sqrt{3}} / \frac{0.1}{\sqrt{3}} / \frac{0.1}{3}$	30	90	180	500	/	/	/	100	600	40.5/95/200	图 1 Figure1
$\frac{35}{\sqrt{3}} / \frac{0.1}{\sqrt{3}} / \frac{0.1}{\sqrt{3}} / \frac{0.1}{3}$	/	/	/	/	20/20	20/30	45/45	100	300/300		图 2 Figure2

外形安装尺寸/Overall dimension drawing



接线图/Wiring diagram

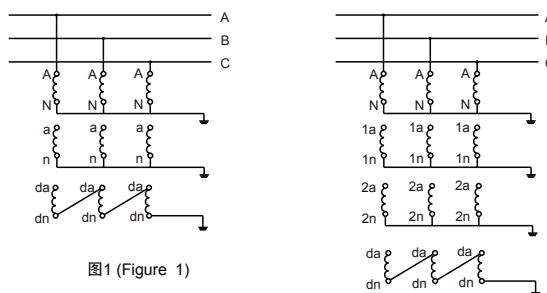
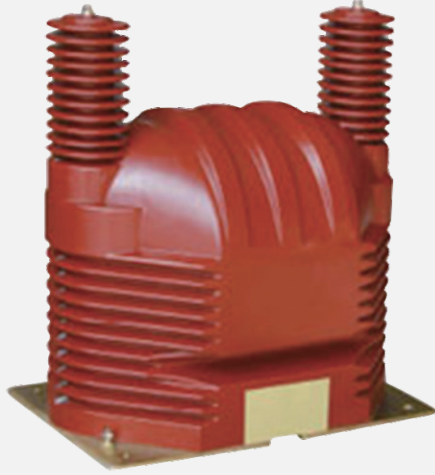


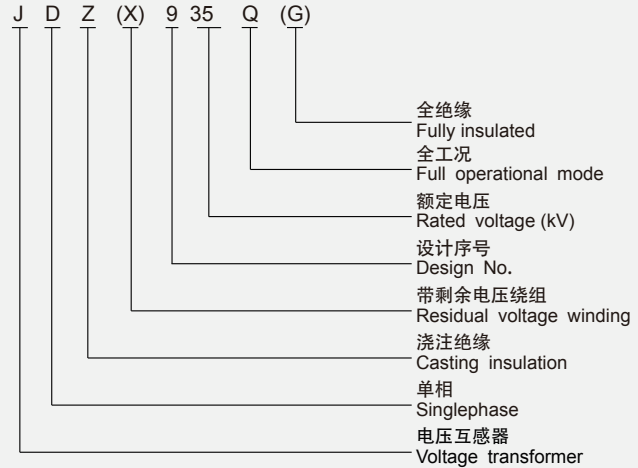
图1 (Figure 1)

图2 (Figure 2)

35kV Voltage transformer



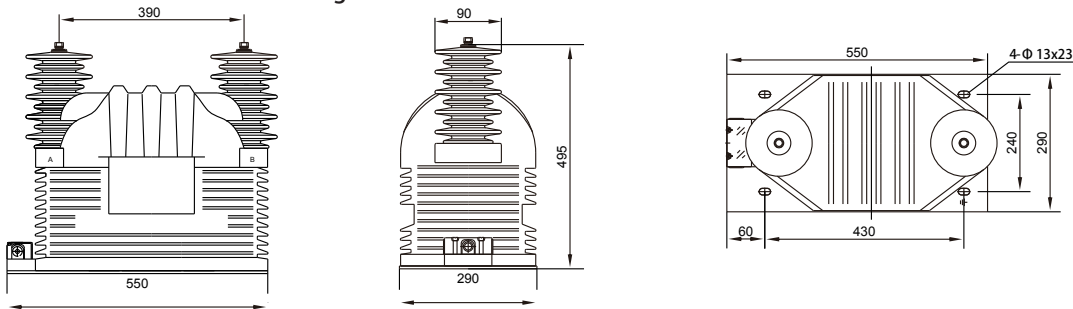
型号含义/Model description



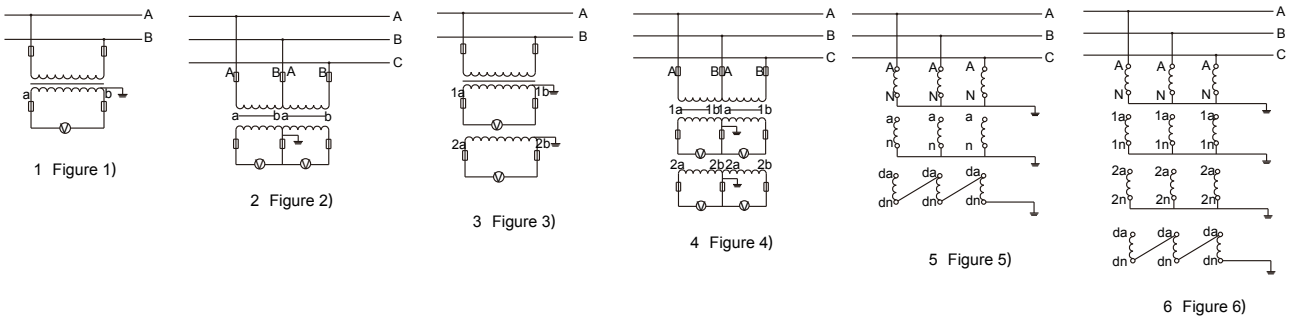
技术参数/Technical date

型号 Type	额定电压比 Rated voltage ratio (kV)	额定二次输出 Rated secondary output(VA)								极限输出 Max. output (VA)	额定绝缘水平 Rated insulation level (kV)	接线图 Wiring diagram
		0.2	0.5	1	3	0.2/0.2	0.2/0.5	0.5/0.5	6P(3P)			
JDZ935	35/0.1	60	120	240	600	/	/	/	/	800	40.5/95/200	图1 图2 Figure 12
	35/0.1/0.1	/	/	/	/	30/30	30/30	40/0	/	500/500		图3 图4 Figure 34
JDZ935	$\frac{35}{\sqrt{3}} / \frac{0.1}{\sqrt{3}} / \frac{0.1}{3}$	30	90	180	500	/	/	/	100	600		图5 Figure 5
	$\frac{35}{\sqrt{3}} / \frac{0.1}{\sqrt{3}} / \frac{0.1}{3}$	/	/	/	/	15/15	15/20	45/5	100	300/300		图6 Figure 6

外形安装尺寸/Overall dimension drawing



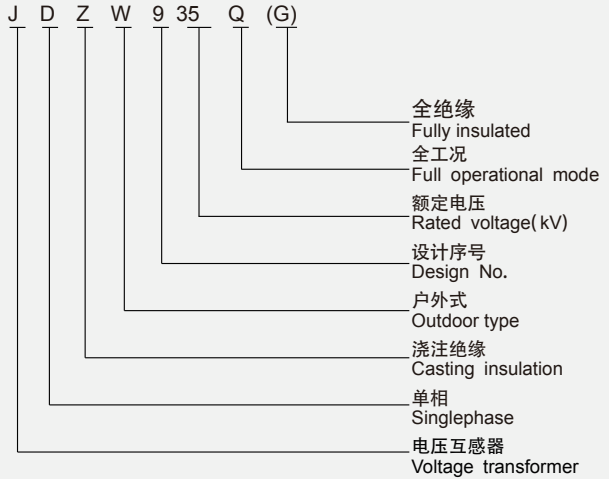
接线图/Wiring diagram



35kV Voltage transformer



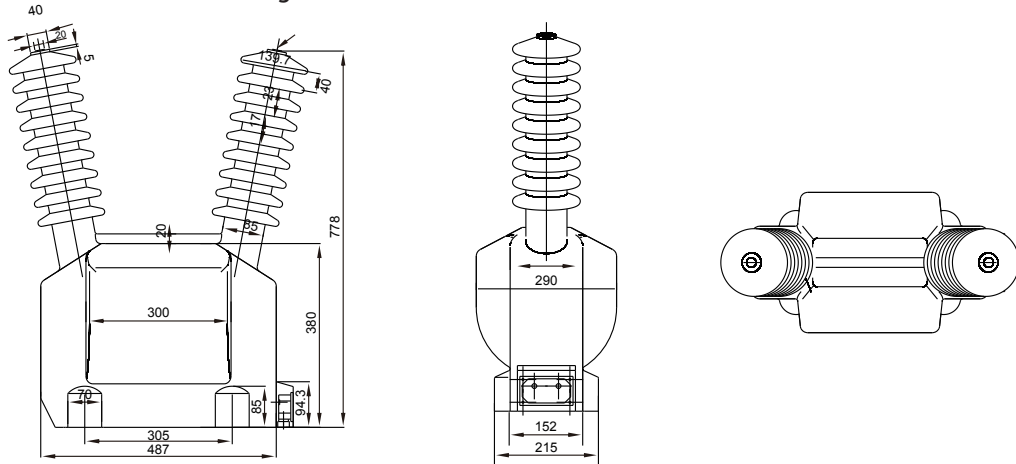
型号含义/Model description



技术参数/Technical data

型号 Type	额定电压比 Rated voltage ratio (kV)	额定二次输出 Rated secondary output (VA)								极限输出 Max. output (VA)	额定绝缘水平 Rated insulation level (kV)	接线图 Wiring diagram
		0.2	0.5	1	3	0.2/0.2	0.2/0.5	0.5/0.5	6P(3P)			
JDZW935	35/0.1	60	120	240	600	/	/	/	/	800	40.5/95/200	图1 图2 Figure 12
	35/0.1/0.1	/	/	/	/	30/30	30/30	40/0	/	500/500		图3 图4 Figure 34
JDZW935	$\frac{35}{\sqrt{3}} / \frac{0.1}{\sqrt{3}} / \frac{0.1}{3}$	30	90	180	500	/	/	/	100	600		图5 Figure 5
	$\frac{35}{\sqrt{3}} / \frac{0.1}{\sqrt{3}} / \frac{0.1}{3}$	/	/	/	/	15/15	15/20	45/5	100	300/300		图6 Figure 6

外形安装尺寸/Overall dimension drawing



接线图/Wiring diagram

