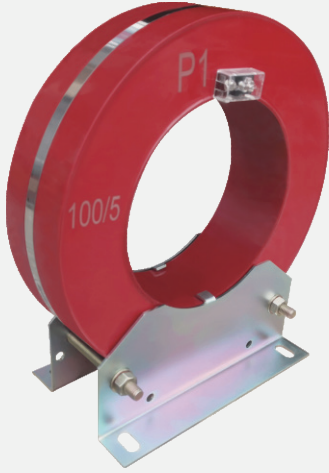


Open current transformer



型号含义/Model description

L X K $\Phi 80 \sim \Phi 240$

标称内直径
Nominal diameter of inner hole

开合式
Open/closed type

零序
Residual

电流互感器
Current transformer

技术参数/Technical data

LXK- Φ (80、120、140、160、200、240)型技术参数 1: 零序保护使用 表1

LXK Φ (80、120、140、160、200、240)type technical data 1:for residual protection Table 1

变比 Transformation ratio (A)	继电器型号 Relay type	继电器线圈连接方式 Connection type of relay coil	继电器刻度值 Relay scale value	使继电器动作的一次剩余电流 Primary residual current of relay acting (A)	重量 Weight (kg)
60/1	DD1 1/60	串联 Series connection	15×1	2.4-2.5	4.5
		并联 Parallel connection	30×1		
	DD1/60	串联 Series connection	15×2	3-5	
		并联 Parallel connection	30×2		
		串联 Series connection	15×1	3-5	
		并联 Parallel connection	30×1		
串联 Series connection	15×2	3-6			
并联 Parallel connection	30×2				

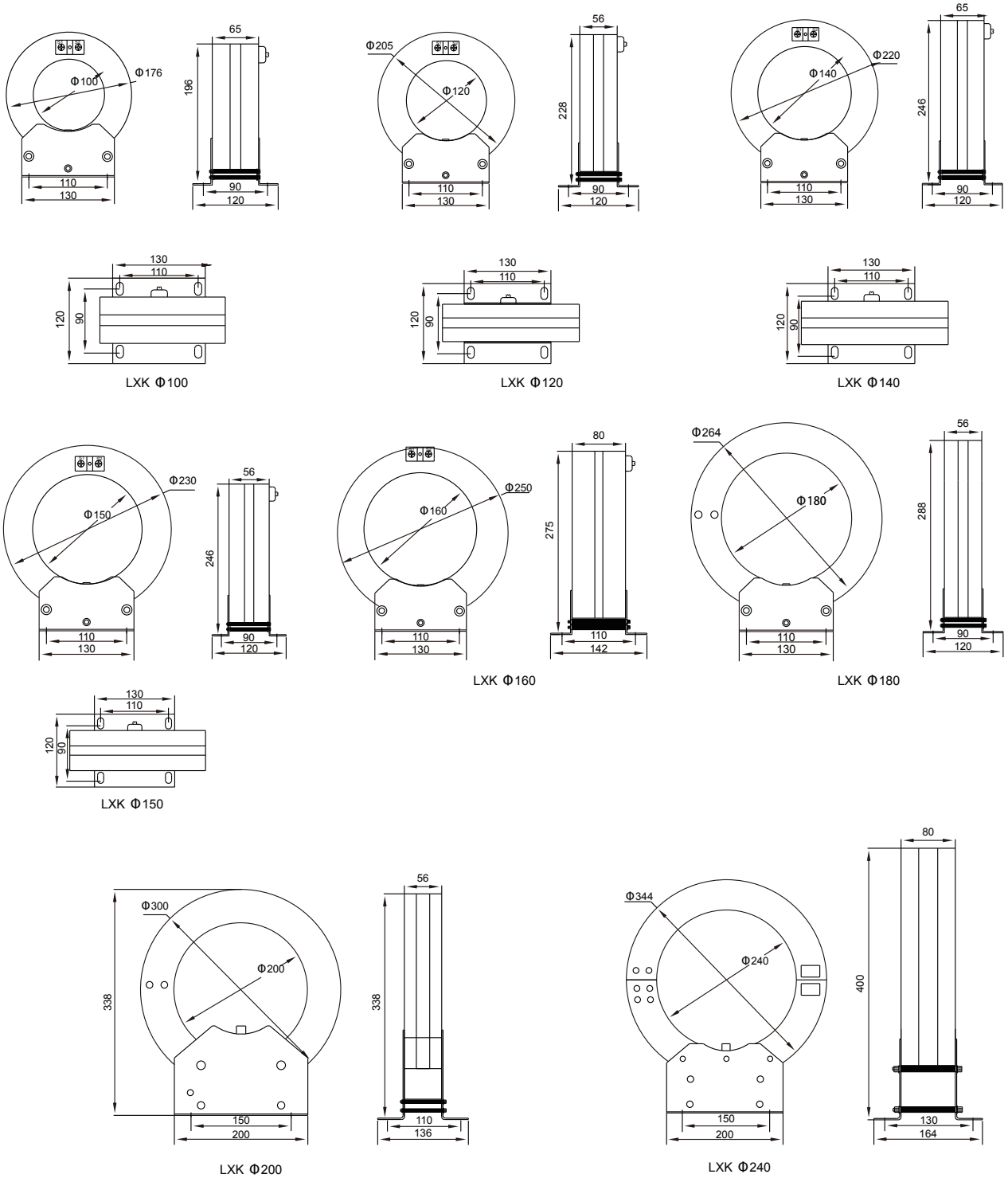
LXK Φ (80、120、140、160、200、240)型技术参数 2: 配微机保护使用 表2

LXK Φ (80、120、140、160、200、240)type technical data 2:mating with microcomputer protection Table 2

变比 Transformation ratio (A)	准确级 Accuracy class	额定输出(VA) Rated output
60/1	5P10	1.0
75/1		1.5
100/1		2.5
150/1		2.5
200/1		3.75
300/1		7.5
150/1		2.0
200/1		2.5
300/1		5.0
400/1		10
500/1		12.5
600/1		15

Open current transformer

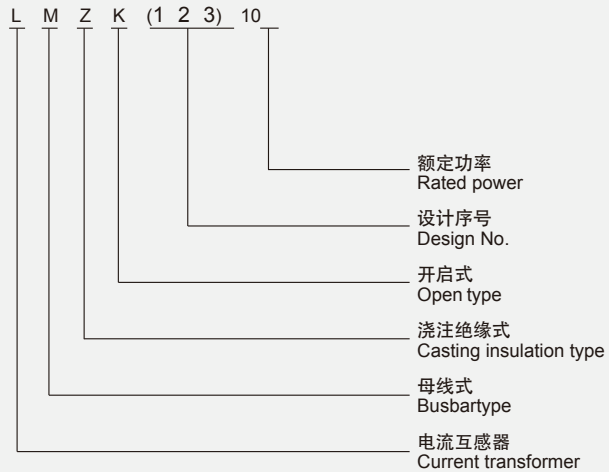
外形安装尺寸/Overall dimension drawing



Open current transformer



型号含义/Model description



概述/Description

LMZK10 系列卡式电流互感器适用于10kV交流电力系统的电设备的电流测量和微机保护。该电流互感器具有体积小、重量轻、可开启、便于安装等特点，广泛用于紧凑型全绝缘环网柜开关柜中，安装时直接卡在连接好的进出线电缆上，简便快捷。已在ABB Safe Ring/Plus、Uniswitch、施耐德RM6/SM6、伊顿SVS,德国 GA/GE, 法国FB, 韩国SS等紧凑型全绝缘环网柜开关柜中广泛应用，亦用于组合式变电站和电缆分接箱中。

该电流互感器选用了磁导率较高的优质进口硅钢片作为导磁材料，具有铁芯可分割、磁路损耗小的特点，其半圆环型铁芯和二次绕组采用优质环氧树脂真空浇注在可燃的塑料壳体内，防潮，性能稳定，无需维护。

安装时将两个半圆环卡在分相电缆上，用抱箍抱紧，与电缆一体，和谐美观，35mm240mm210kV 电缆均能适用，其抱箍采用优质不锈钢坚固可靠，无涡流。

依据电流变比，准确级和额定负载不同，系列分为三种。可按用户的要求定制不同规格和参数开启式电流互感器。

LMZK10 series cassette current transformer is suitable for current measurement and microcomputer protection of electrical equipment in 10kV AC power system. The current transformer has the characteristics of small volume, light weight, openable and easy to install. It is widely used in the switch cabinet of compact fully insulated ring main unit. It is easy and fast to install when it is directly stuck on the connected incoming and outgoing cables. It has been widely used in ABB safe ring / plus, uniswitch, Schneider RM6 / sm6, Eaton SVS, Germany GA / Ge, France FB, South Korea SS and other compact fully insulated ring main unit switch cabinet, as well as in combined substation and cable distribution box.

The current transformer uses high quality imported silicon steel sheet with high permeability as magnetic conductive material, which has the characteristics of separable iron core and low magnetic circuit loss. Its semicircular core and secondary winding are vacuum cast with highquality epoxy resin in a flameretardant plastic shell, which is moistureproof, stable and maintenance free.

During installation, two semicircular rings are clamped on the split phase cable and tightly held with hoops. They are integrated with the cable, harmonious and beautiful. 35mm240mm 210kV cable can be applied. The hoops are made of highquality stainless steel, firm and reliable, and no eddy current.

According to the current ratio, accuracy level and rated load, the series can be divided into three types. Open type current transformers with different specifications and parameters can be customized according to user's requirements. .

Open current transformer

技术参数/Technical data

型号 Type	一次额定电流范围 Primary rated current range	额定负载范围 Rated load range	规格尺寸(mm) Spec. Dim	重量 Weight(kg)
LMZK1-10	300600A	≤10VA	Φ100*Φ50*35	0.7
LMZK2-10	50600A	≤40VA	Φ110*Φ50*53	1.2
LMZK3-10	30600A	≤60VA	Φ110*Φ50*105	2.4

型号 Type	LMZK1-10					
用途 Purpose	测量电流互感器 Measuring current transformer			保护电流互感器 Protection current transformer		
	准确级及额定负载(VA) Accuracy class and rated burden			准确级及额定负载(VA) Accuracy class and rated burden		
I1/I2 Ratio I1/I2	0.5	1	3	10P15	10P10	10P5
300/1	1	2.5	3.75			1
400/1	2.5	3.75	3.75		1	2.5
500/1	2.5	3.75	5		2.5	3.75
600/1	2.5	3.75	5	1	2.5	3.75
300/5	2.5	3.75	5			2.5
400/5	3.75	5	7.5			3.75
500/5	5	7.5	10		2.5	5
600/5	5	7.5	10		2.5	5

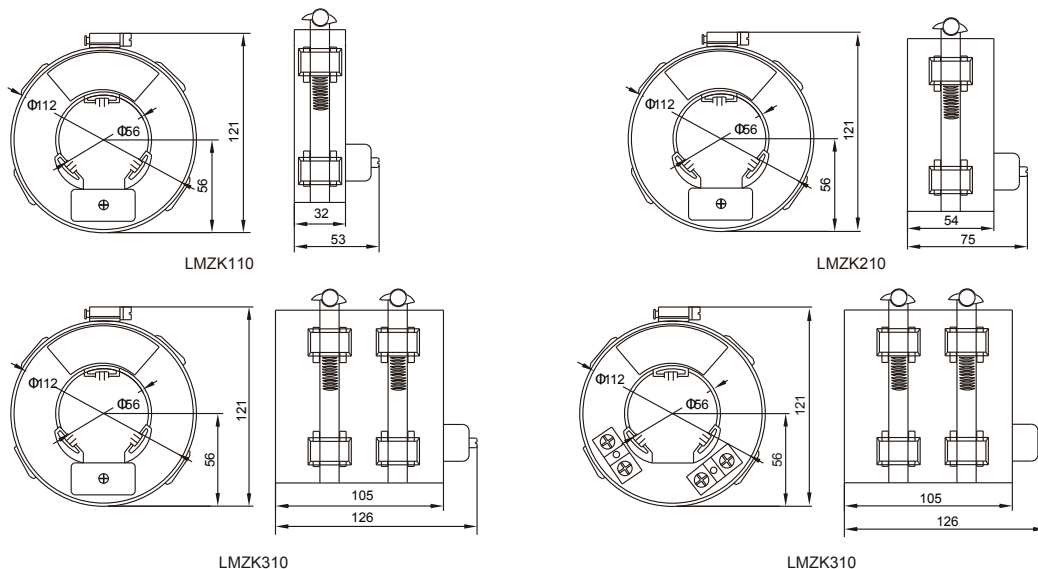
型号 Type	LMZK2-10					
用途 Purpose	测量电流互感器 Measuring current transformer			保护电流互感器 Protection current transformer		
	准确级及额定负载 (VA) Accuracy class and rated burden			准确级及额定负载 (VA) Accuracy class and rated burden		
I1/I2 Ratio I1/I2	0.2	0.5	1	10P15	10P10	10P5
50/1		1	2.5			1
75/1		2.5	2.5		1	1
100/1		2.5	3.75		1	2.5
150/1		3.75	5		2.5	2.5
200/1		5	7.5	1	2.5	3.7
300/1	2.5	7.5	15	2.5	2.5	5
400/1	7.5	15	20	2.5	3.75	7.5
500/1	10	20	30	3.75	5	10
600/1	10	20	30	5	7.5	15
75/5			2.5			1
100/5		2.5	2.5			1
150/5		2.5	5		1	2.5
200/5		5	7.5		1	2.5
300/5		5	10	1	2.5	5
400/5		7.5	15	1	2.5	5
500/5	5	15	20	2.5	3.75	7.5
600/5	10	20	30	2.5	5	10

Open current transformer

技术参数/Technical date

型号 Type	LMZK3-10										
用途 Purpose	测量电流互感器 Measuring current transformer			保护电流互感器 Protection current transformer			双绕组电流互感器 Double winding current transformer				
电流比 I1/I2 Ratio I1/I2	准确级及额定负载(VA) Accuracy class and rated burden			准确级及额定负载(VA) Accuracy class and rated burden			准确级及额定负载(VA) Accuracy class and rated burden				
	0.2	0.5	1	10P15	10P10	10P5	0.5	1	10P10	10P5	
20/1			1			1					
30/1			1		1	1					
40/1		1	12.5		1	2.5					
50/1		2.5	2.5		2.5	2.5		1			
75/1		2.5	3.75	1	2.5	3.75	1	2.5	1	2.5	
100/1		3.75	5	2.5	3.75		2.5	2.5	1		
150/1		3.75	5	2.5	3.75		2.5			2.5	
200/1		5	7.5	3.75	5		3.75			2.5	
300/1	2.5	10	15	5	7.5		5			3.75	
400/1	5	15	20	7.5	10		7.5			3.75	
500/1	10	25	40	7.5	10		10			5	
600/1	15	30	50	10	15		15			7.5	
50/5			2.5			2.5					
75/5		2.5	5			2.5		2.5			1
100/5		3.75	7.5		2.5	3.75	2.5				1
150/5		5	7.5		2.5	5	3.75				2.5
200/5		7.5	10		2.5	7.5	5			1	2.5
300/5		10		3.75	5	10	7.5			12.5	5
400/5	5	15		3.75	5	10	10			5	10
500/5	10	20		5	7.5	15	15			7.5	15
600/5	10	30		5	7.5	15	20			10	20

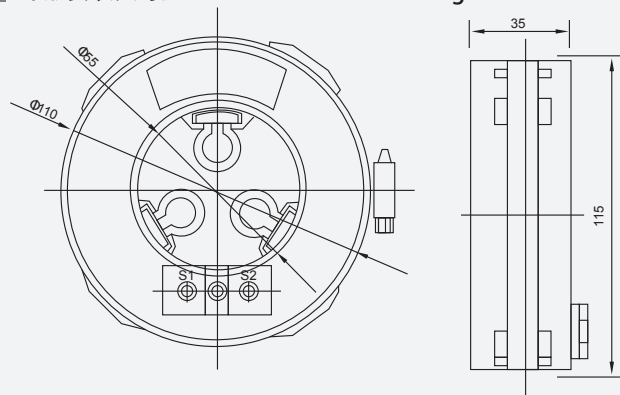
外形安装尺寸/Overall dimension drawing



Open current transformer



外形安装尺寸/Overall dimension drawing

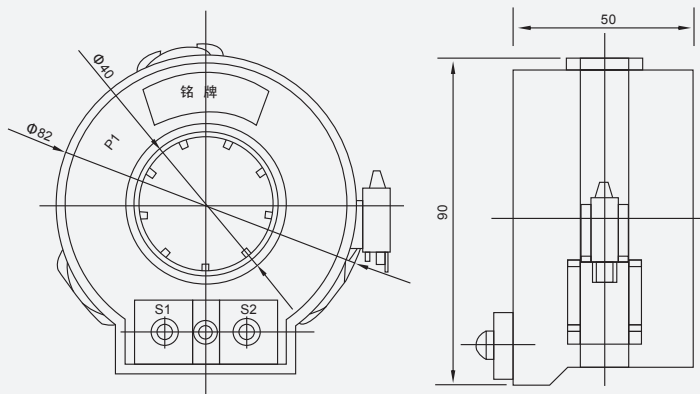


技术参数/Technical data

产品类别 Product Category 额定电流比 I1/I2(A/A) Rated current ratio I1/I2(A/A)	测量电流互感器 Measuring current transformer 准确级及额定负载(VA) Accuracy class and rated burden			保护电流互感器 Protective current transformer 准确级及额定负载(VA) Accuracy class and rated burden		
	0.5	1.0	3.0	10P15	10P10	10P5
300/1	1.5	3.75	3.75			1.5
400/1	2.5	3.75	3.75		1.5	2.5
500/1	2.5	3.75	3.75	1	2.5	3.75
600/1	3.75	5	5	1.5	2.5	5
300/5	2.5	3.75	3.75		1.5	2.5
400/5	3.75	5	5		2.5	5
500/5	3.75	5	5	2.5	3.75	7.5
600/5	5	7.5	7.5	2.5	3.75	7.5



外形安装尺寸/Overall dimension drawing



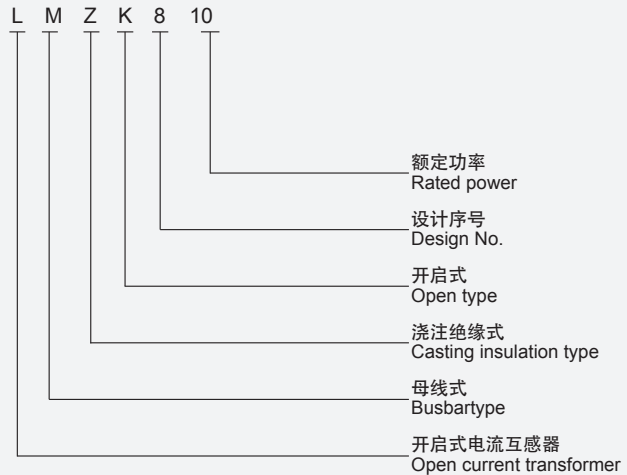
技术参数/Technical data

产品类别 Product Category 额定电流比 I1/I2(A/A) Rated current ratio I1/I2(A/A)	测量电流互感器 Measuring current transformer 准确级及额定负载(VA) Accuracy class and rated burden			保护电流互感器 Protective current transformer 准确级及额定负载(VA) Accuracy class and rated burden		
	0.5	1.0	3.0	10P15	10P10	10P5
100/1	0.5	1	1.5			1.5
150/1	1	1.5	2.5		1	2.5
200/1	1.5	2.5	3.75	1	1.5	3.75
300/1	2.5	2.5	3.75	1.5	2.5	5
300/5	2.5	3.75	5	1.5	2.5	5
400/5	5	5	7.5	2.5	3.75	7.5
500/5	5	5	7.5	2.5	3.75	7.5
600/5	5	5	7.5	3.75	5	7.5

Open current transformer



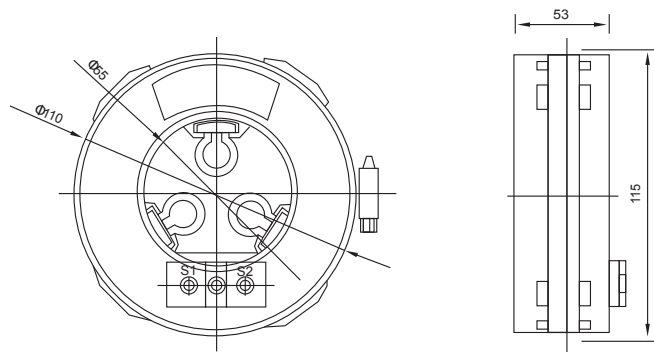
型号含义/Model description



技术参数/Technical data

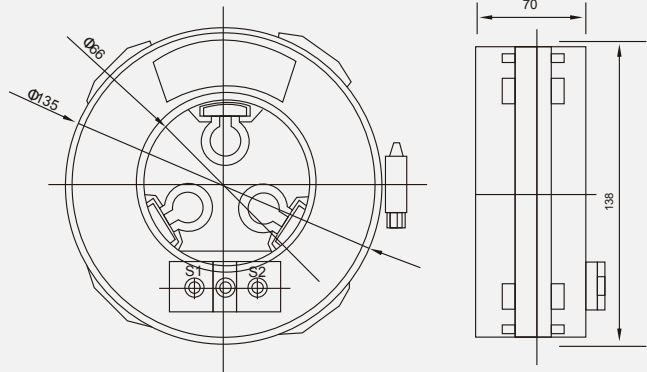
产品类别 Product Category	测量电流互感器 Measuring current transformer			保护电流互感器 Protective current transformer		
额定电流比 I1/I2(A/A) Rated current ratio I1/I2(A/A)	准确级及额定负载(VA) Accuracy class and rated burden			准确级及额定负载(VA) Accuracy class and rated burden		
	0.2	0.5	1.0	10P15	10P10	10P5
100/1	2.5	2.5	2.5	1.5	1.5	3.75
150/1	2.5	2.5	3.75	2.5	2.5	5
200/1	5	3.75	5	3.75	3.75	7.5
300/1		5	10	5	5	10
400/1		10	10		7.5	15
50/5			1.5			1
75/5			2.5		1	2.5
100/5			2.5		1.5	3.75
150/5			3.75	1.5	2.5	5
200/5			5	2.5	3.75	7.5
300/5		2.5	5	3.75	5	10
400/5		5	10	5	5	10
500/5	2.5	5	10	5	5	10
600/5	5	10	15	5	10	15

外形安装尺寸/Overall dimension drawing



Open current transformer

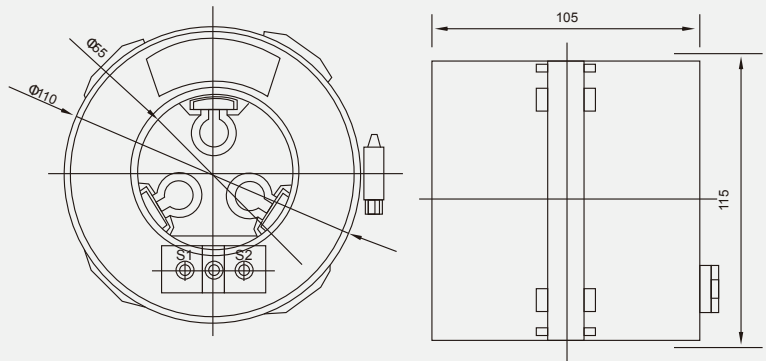
外形安装尺寸/Overall dimension drawing



技术参数/Technical data

产品类别 Product Category	测量电流互感器 Measuring current transformer			保护电流互感器 Protective current transformer			双绕组电流互感器 Double winding current transformer			
	准确级及额定负载(VA) Accuracy class and rated burden			准确级及额定负载(VA) Accuracy class and rated burden			复合准确及额定负载(VA) Composite accuracy and rated load			
额定电流比 1:1/2(A/A) Rated current ratio 1:1/2(A/A)	0.2	0.5	1.0	10P15	10P10	10P5	0.5	1.0	10P10	10P5
50/5			1.5		1	2.5				1
100/5				1	2		2.5			2
200/5				3.75	5		2.5	5	2	3.75
300/5		2.5		5	7.5		3.75	5	2.5	5
400/5	2.5	5		10	7.5		5	7.5	2.5	5
500/5	5	7.5		15	10		7.5	10	3.75	7.5
600/5	5	10		15	10		7.5	10	3.75	7.5

外形安装尺寸/Overall dimension drawing



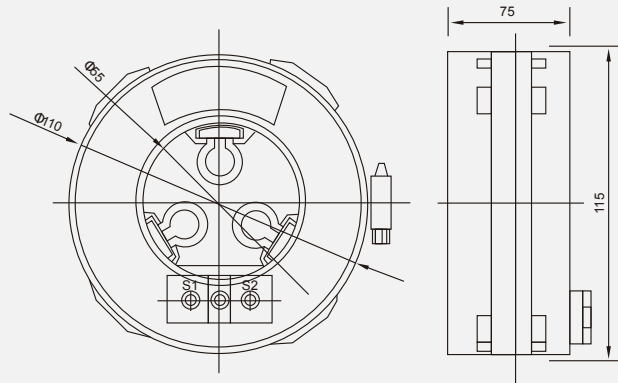
技术参数/Technical data

产品类别 Product Category	测量电流互感器 Measuring current transformer			保护电流互感器 Protective current transformer			双绕组电流互感器 Double winding current transformer			
	准确级及额定负载(VA) Accuracy class and rated burden			准确级及额定负载(VA) Accuracy class and rated burden			复合准确及额定负载(VA) Composite accuracy and rated load			
额定电流比 1:1/2(A/A) Rated current ratio 1:1/2(A/A)	0.2	0.5	1.0	10P15	10P10	10P5	0.5	1.0	10P10	10P5
50/1			2.5		2.5	3.75		1.5		1
75/1		2.5	3.75	1	3.75	5		1.5		2.5
100/1		2.5	5	2.5	5	7.5	1	2.5	1	3.75
150/1		5	7.5	3.75	7.5	10	2.5	3.75	2.5	5
200/1	5	10	15	5	7.5	15	5	5	2.5	7.5
20/5			2.5			3.75				1.5
75/5			3.75	1.5	3.75	5		1	1	2.5
100/5		3.75	5	2.5	5	7.5	1.5	2.5	2.5	3.75
150/5		5	7.5	3.75	7.5	10	2.5	3.75	2.5	5
200/5	5	10	15	5	7.5	15	5	7.5	3.75	7.5
300/5	7.5	10	15	7.5	10	20	7.5	10	5	10

Open current transformer



外形安装尺寸/Overall dimension drawing

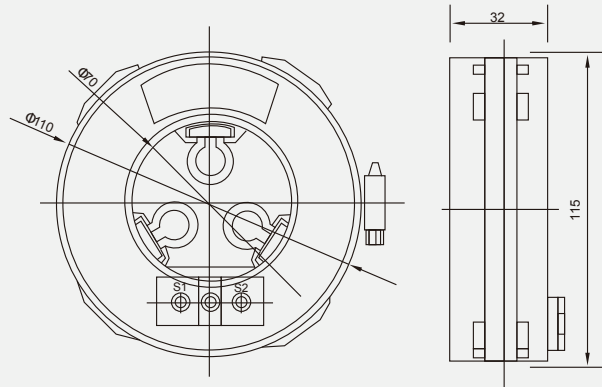


技术参数/Technical data

产品类别Product Category	测量电流互感器Measuring current transformer			保护电流互感器Protective current transformer		
额定电流比 I1/I2(A/A) Rated current ratio I1/I2(A/A)	准确级及额定负载(VA)Accuracy class and rated burden			准确级及额定负载(VA)Accuracy class and rated burden		
	0.2	0.5	1.0	10P15	10P10	10P5
100/1		2.5	2.5		1.5	3.75
150/1		2.5	3.75	1.5	2.5	5
200/1	2.5	5	5	2.5	3.75	7.5
300/1	2.5	7.5	10	3.75	5	10
400/1	5	10	10	5	7.5	15
50/5			1.5			1.5
75/5			2.5		1	2.5
100/5			2.5		1.5	3.75
150/5		2.5	3.75	1.5	2.5	5
200/5	2.5	5	7.5	2.5	3.75	7.5
300/5	2.5	7.5	10	3.75	5	10
400/5	5	10	15	5	7.5	15



外形安装尺寸/Overall dimension drawing



技术参数/Technical data

产品类别Product Category	测量电流互感器Measuring current transformer			保护电流互感器Protective current transformer		
额定电流比 I1/I2(A/A) Rated current ratio I1/I2(A/A)	准确级及额定负载(VA)Accuracy class and rated burden			准确级及额定负载(VA)Accuracy class and rated burden		
	0.5	1.0	3.0	10P15	10P10	10P5
300/1	1.5	3.75	3.75			1.5
400/1	2.5	3.75	3.75		1.5	2.5
500/1	2.5	3.75	3.75	1	2.5	3.75
600/1	3.75	5	5	1.5	2.5	5
300/5	2.5	3.75	3.75		1.5	2.5
400/5	3.75	5	5		2.5	5
500/5	3.75	5	5	2.5	3.75	7.5
600/5	5	7.5	7.5	2.5	3.75	7.5