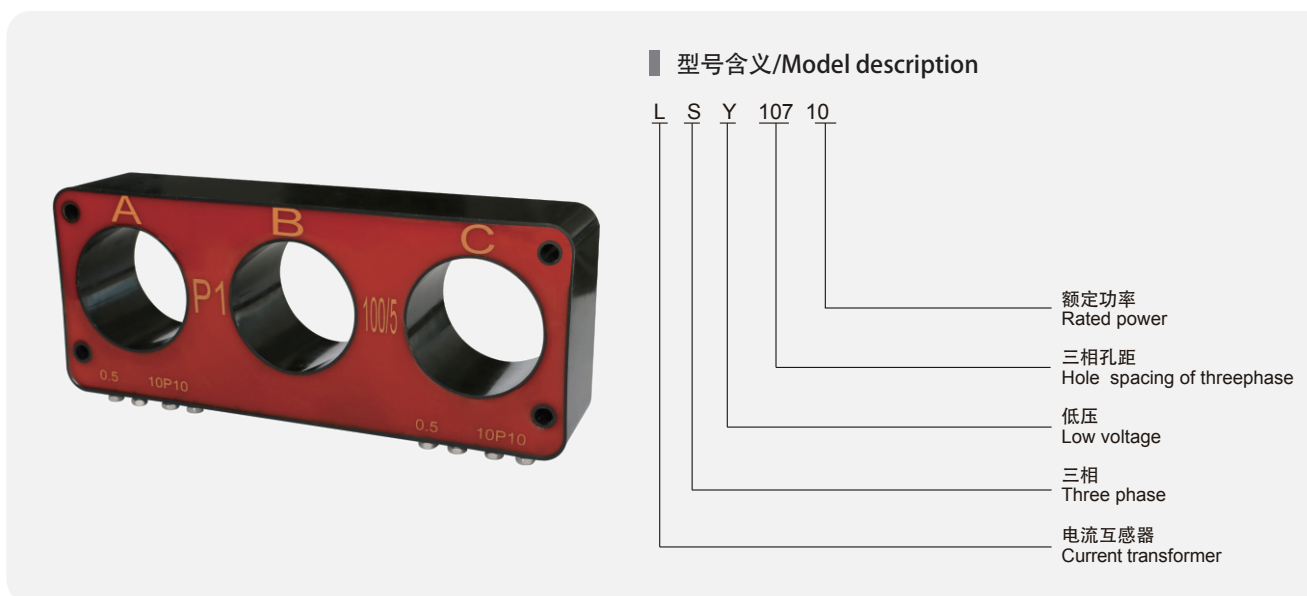


Three-phase integrated transformer



概述/Description

LSY10710 系列电流互感器为户外柱上开关专用互感器,安装时固定在户外开关断路器的三相套管上,可以同时实现短路保护,单项接地(零序)保护以及为控制器提供电源等功能。也可以用于环网柜进出线三相套管上,用作电气设备的电流测量,电能计量和微机保护。目前已在ZW20, ZW27, ZW28, VSP5等户外柱上开关上广泛使用,解决了柱上开关内部空间狭小无法安装零序互感器的问题,受到众多用户的一致好评。

该系列互感器的铁芯和二次绕组采用优质环氧树脂真空浇注在可阻燃的塑料壳体内,防潮湿,性能稳定,无需维护。

LSY10710 series current transformer is a special transformer for outdoor pole mounted switch. When installed, it is fixed on the three phase bushing of outdoor switch circuit breaker, which can realize shortcircuit protection, single grounding (zero sequence) protection and provide power supply for controller. It can also be used in the threephase bushing of the incoming and outgoing lines of the ring main unit, as the current measurement of electrical equipment, electric energy metering and microcomputer protection. At present, it has been widely used in ZW20, ZW27, ZW28, VSP5 and other outdoor pole mounted switches, which solves the problem that the internal space of pole mounted switch is too narrow to install zero sequence transformer, and has been well appraised by many users.

The iron core and secondary winding of the series transformer are made of high quality epoxy resin and vacuum cast in a flame retardant plastic shell, which is moisture resistant, stable and maintenance free.

技术参数/Technical date

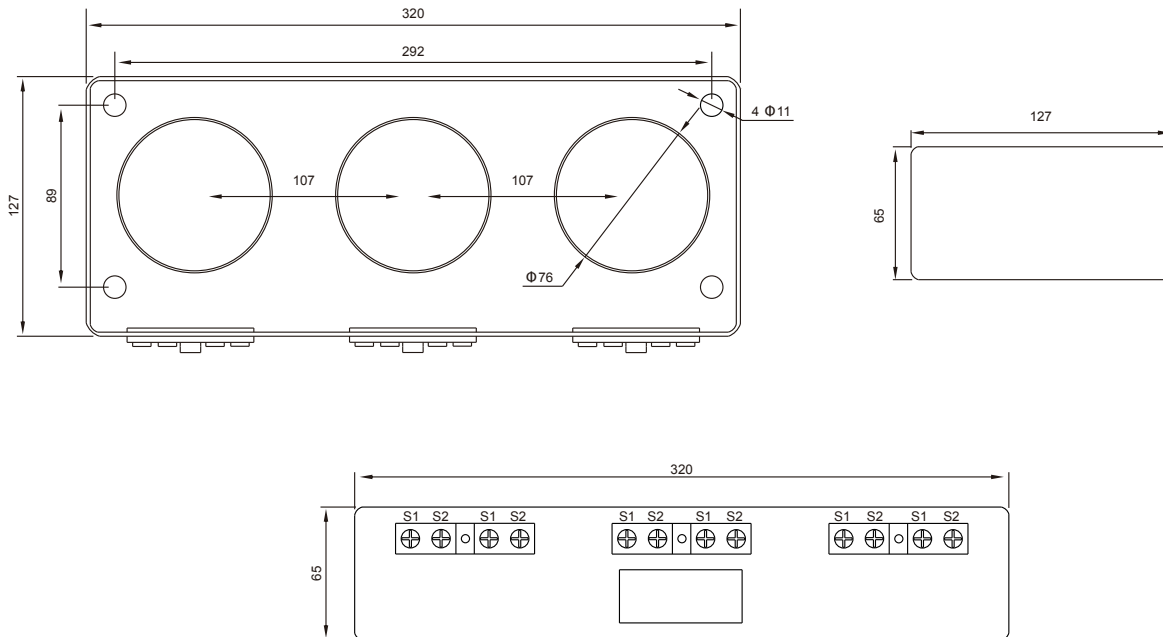
电流比 Ratio I1/I2	准确级及额定负载(VA) Accuracy class and rated burden			准确级及额定负载(VA) Accuracy class and rated burden	
	0.5	1	3	10P10	10P5
20/1			0.2Ω		
50/1		0.5Ω	1Ω		
75/1		1Ω	1.5Ω	1Ω	1.5Ω
100/1		1.5Ω	1.5Ω	1.5Ω	2.5Ω
100/5		1.5VA	1.5VA		2.5VA
200/5	2.5VA	3.75VA	3.75VA	2.5VA	5VA
300/5	3.75VA	5VA	5VA	3.75VA	7.5VA

Three-phase integrated transformer

技术参数/Technical data

型号 Type	LSY10710								
用途 Purpose	测量电流互感器 Measuring current transformer			保护电流互感器 Protection current transformer			双绕组电流互感器 Double winding current		
电流比 I1/I2(A/A) Ratio I1/I2(A/A)	准确级及额定负载(VA) Accuracy class and rated burden			准确级及额定负载(VA) Accuracy class and rated burden			准确级及额定负载(VA) Accuracy class and rated burden		
	0.2S	0.2	0.5	10P15	10P10	10P5	0.5	10P10	10P5
100/1				1	1	2.5			
150/1			1	1	2.5	3.75			2.5
200/1		1	2.5	2.5	3.75	5		2.5	3.75
300/1		2.5	5	2.5	3.75	7.5		2.5	5
400/1	2.5	3.75	7.5	2.5	5	10		3.75	7.5
500/1	3.75	5	10	3.75	5	12.5		5	10
600/1	5	7.5	15		7.5	15		5	12.5
100/5			1			2.5			
150/5			2.5		1	3.75		1	1
200/5		2.5	3.75		2.5	5	1	1	2.5
300/5		2.5	5		2.5	7.5	2.5	12.5	2.5
400/5	2.5	3.75	7.5		3.75	10	5	2.5	3.75
500/5	3.75	5	10	2.5	5	12.5	7.5	3.75	5
600/5	5	7.5	15	3.75	5	15	10		7.5

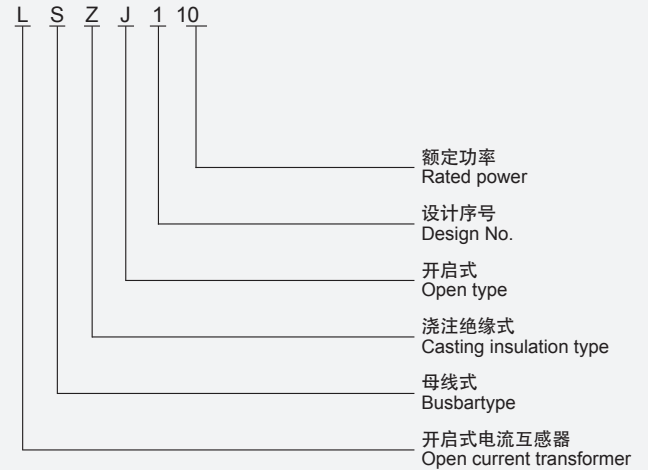
外形安装尺寸/Overall dimension drawing



Three-phase integrated transformer



型号含义/Model description



技术参数/Technical date

零序电流互感器技术参数表 (Zero sequence current transformer technology parameter list):

产品类别 Product Category	零序电流互感器 Zero sequence current transformer				
额定电流比 I1/I2(A/A) Rated current ratio I1/I2(A/A)	准确级及额定负载(VA) Accuracy class and rated burden			准确级及额定负载(VA) Accuracy class and rated burden	
	0.5	1.0	3	10P10	10P5
20/1			1		
50/1			2.5		1
100/5		1	2.5		1
200/5		2.5	2.5		2.5
300/5	2.5	2.5	5	1	3.75

外形安装尺寸/Overall dimension drawing

