

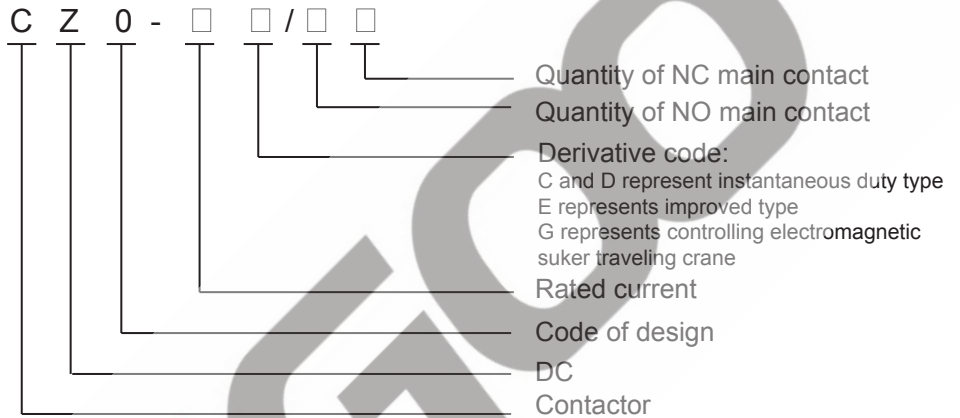
### CZ0 Series DC Contactor



#### Range of application

- CZ0 series DC contactor is mainly used for remote making and breaking DC power lines of rated DC working voltage up to 660V and rated working current up to 1500A, it is suitable for frequent starting, stop, commutating and pulg braking of DC motors.
- The products are in accordance with national standards GB/T14048.1 and GB14048.4.

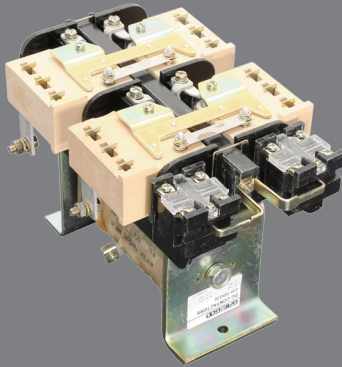
#### Model description



#### Structural feature

- Structure for products of rated current 150A below is space formula arranged with upper and lower two layers, main contact system of bridge type double-break series connected magnetic blow out porcelain clay arc controlled as well as two-NO two-NC bridge type double-break auxiliary contact with rated working current 5A are all fixed on the back of flapped electromagnetic system; structure for products of rated current 250A and above are plane layout, it means that contact system with bridge type single-break series connected magnetic blow out porcelain clay arc chute as well as the flapped electromagnetic system who rotates along with the hardening treated edge angle are fixed on underframe in tandem, the bridge-type double-break auxiliary contact of rated conventional heating current 10A and with five pairs of NO and NC that can be combined randomly is fixed on the back of magnetic system; NC main contact contact contactor of rated current 100-150A as well as contactor pull-in coil of rated current 250A~1500A are all duplex winding structured with energy saving function, the coil has A, B and C three connecting terminals, C is used for contactor itself, A and B are used to connect the control power supply.
- The contactor has advantages of complete specifications, long service life, reliable operation, convenietn maintenance, etc.
- CZ0-250~1500 contactor adopts structure form of rod driving auxiliary contact, this enables the product to be more flexible, and have longer service life.

### CZ0 Series DC Contactor



#### Main technical parameter

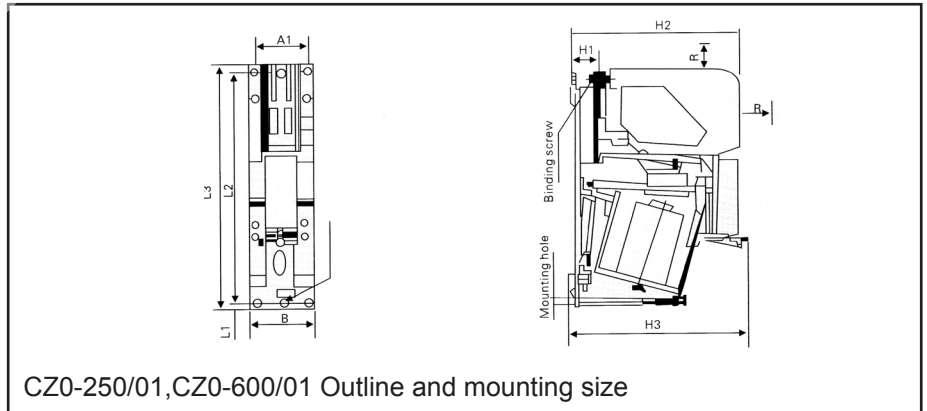
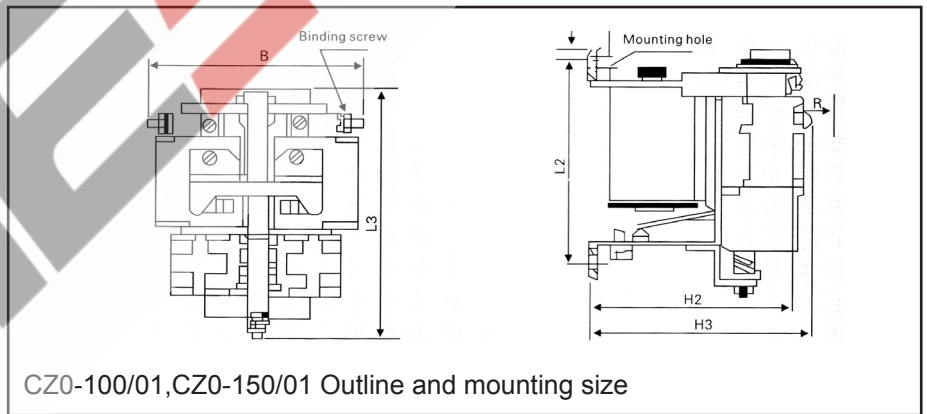
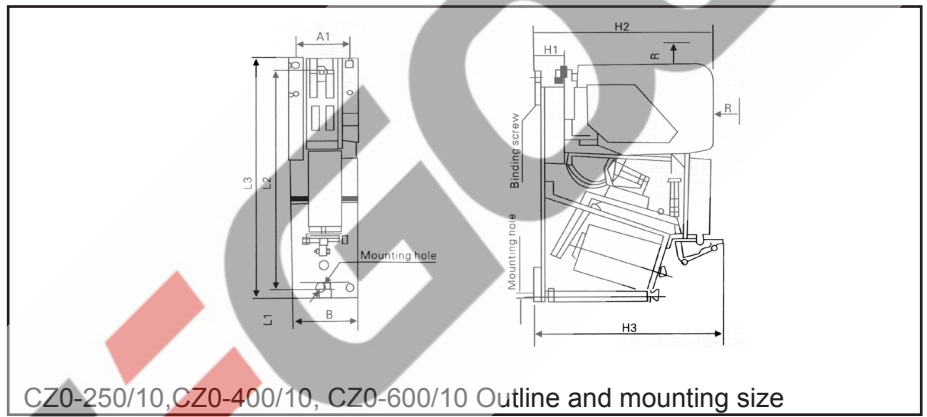
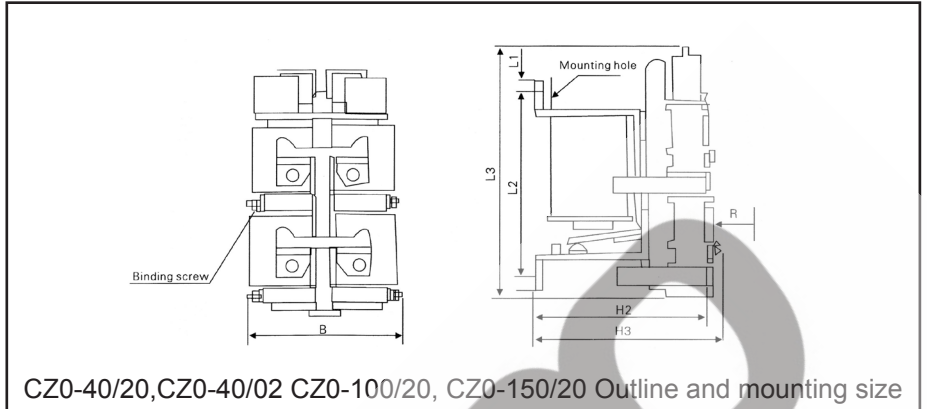
Model	Rated voltage (V)	Rated current (A)	Quantity of main contact		Quantity of auxiliary contact		Rated breaking capacity of main contact (A)	Frequency of operation (time/h)	Mechanical life (Ten thousand times)	Electrical life (Ten thousand times)
			NO	NC	NO	NC				
CZ0-40/20	440	40	2		2	2	160	1200	500	50
CZ0-40/02	440	40		2	2	2	100	600	300	30
CZ0-100/10	440	100	1		2	2	400	1200	500	50
CZ0-100/01	440/660	100		1	2	1	250	600	300	30
CZ0-100/20	440	100	2		2	2	400	1200	500	50
CZ0-150/10	440	150	1		2	2	600	1200	500	50
CZ0-150/01	440/660	150		1	2	1	375	600	300	30
CZ0-150/20	440/660	150	2		2	2	600	1200	300	30
CZ0-250/10	440/660	250	1			5	1000	600	300	30
CZ0-250/01	440/660	250		1		5	1000	600	300	30
CZ0-250/20	440/660	250	2			5	1000	600	300	30
CZ0-400/10	440/660	400	1			5	1600	600	300	30
CZ0-400/01	440/660	400		1		5	1000	600	300	30
CZ0-400/20	440/660	400	2			5	1600	600	300	30
CZ0-600/10	440/660	600	1			5	2400	600	300	30
CZ0-600/01	440/660	600		1		5	2400	600	300	30
CZ0-600/20	440/660	600	2			5	2400	600	300	30
CZ0-1000/10	660	1000	1			4	4000	60	50	5
CZ0-1600/10	660	1500	1			4	6000	60	50	5

#### Main technical parameter

Model	Size (mm)												
	L1	L2 mounting hole	L3	A1	A2	A3 W	H1	H2	H3 H	B W	R	Binding screw	Mounting hole
CZ0-40/20	36	146	195	82				146	162	114	15	M6	Φ7.5
CZ0-40/02	36	146	195	82				146	162	114	15	M6	Φ7.5
CZ0-100/10	15	146	175	108				152	162	150	40	M6	Φ7.5
CZ0-100/01	10	146	180	108				152	162	150	35	M6	Φ7.5
CZ0-100/20	48	170	232	108				160	170	146	40	M8	Φ7.5
CZ0-150/10	10	170	190	118				169	178	164	40	M8	Φ7.5
CZ0-150/01	10	170	205	118				169	178	164	35	M8	Φ7.5
CZ0-150/20	61	200	288	118				185	194	164	40	M8	Φ9.5
CZ0-250/10	12	290	327	70			37	237	265	90	100	M10	Φ11
CZ0-250/01													
CZ0-250/20	18	320	356	70	45	205	69	269	303	100	100	M10	Φ13
CZ0-400/10	18	320	370	75			42	277	303	100	140	M10	Φ13
CZ0-400/01	18	343	393	75			49.5	277	277	100	140	M10	Φ13
CZ0-400/20	20	340	388	75	50	225	59	285	334	130	120	M12	Φ17
CZ0-600/10	20	380	450	105				306	334	130	120	M12	Φ17
CZ0-600/01										130	120	M12	
CZ0-600/20												M12	
CZ0-1000/10	20	340	491			350			306			M12	Φ17
CZ0-1600/10	37	360	562			460			326			M12	Φ17

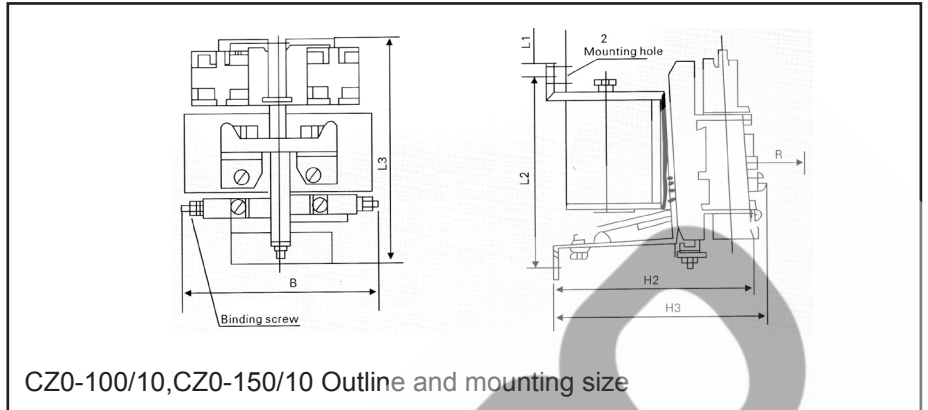
CZ0 Series DC Contactor

Outline

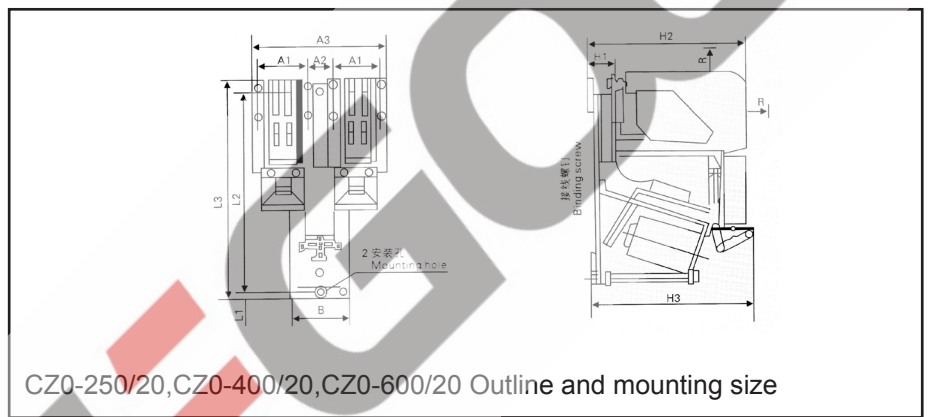


CZ0 Series DC Contactor

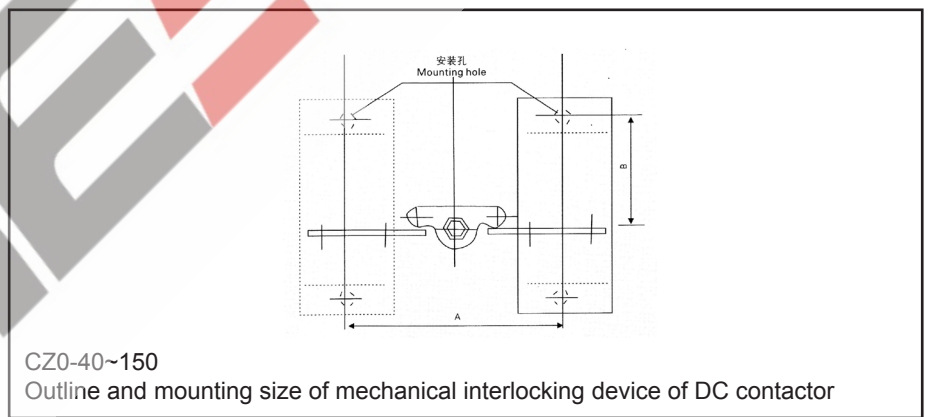
Outline



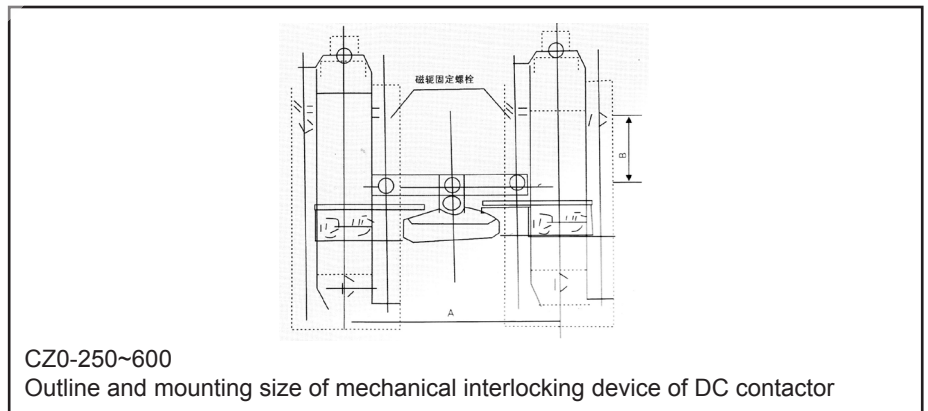
CZ0-100/10, CZ0-150/10 Outline and mounting size



CZ0-250/20, CZ0-400/20, CZ0-600/20 Outline and mounting size



CZ0-40~150  
Outline and mounting size of mechanical interlocking device of DC contactor

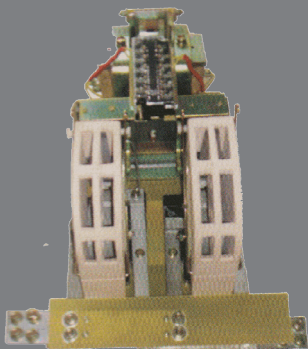


CZ0-250~600  
Outline and mounting size of magnetic interlocking device of DC contactor

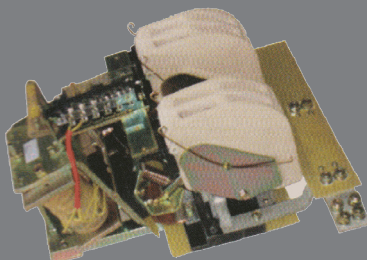
## Outline and mounting size of mechanical interlocking device

Model	Size	
	A	B
CZ0-40/20	170	114
CZ0-40/02	170	114
CZ0-100/10	180	115
CZ0-100/01	180	115
CZ0-100/20	180	135
CZ0-150/10	200	135
CZ0-150/01	200	135
CZ0-150/20	200	160
CZ0-250/10	150	43
CZ0-250/20	240	63
CZ0-400/10	160	63
CZ0-400/20	260	73
CZ0-600/10	175	73

### CZ0-1000/10,1500/10 Series DC Contactor



CZ0-1500/10



CZ0-1000/10

#### Application

CZ0-1000~1500 DC contactor is mainly used for remote making and breaking the DC power line of rated voltage up to 660V and rated current 1000A and 1500A

#### Structure

The contactor is plane layout integrated structured. The electromagnetic system and main contact arc suppression system are fixed on the mounting chassis separately, it adopts flapped electromagnetic system that rotates along with the edge angle as well series connected double-winding pull-in coil, meanwhile, equip a chamfering machine on the rotating edge. The parallel connected main contact of single-break structured is made of copper. It adopts series connected magnetic blow out longitudinal partition porcelain clay arc suppression system. The combined type double-break auxiliary contact is fixed on the back of magnetic yoke, with transparent dust proof cover.

The contactor is wired in front of the board, without base plate, magnetic system is uncharged, it is convenient for maintenance or overhaul, safe and reliable for operation.

#### Technical date and performance

The contactor only bears one NC main contact and four (one for NC, the other three NO and NC can be combined randomly) auxiliary contacts, rated voltage of pull-in coil is 110V and 220V. Rated operating frequency of contactor is 150 times/hours.



Please refer to table 1 for breaking (inductive load T=0.015S) capacity of main contact of contactor as well as range of electric arc running out of arc chute:Table 1

Model of contactor	Voltage(V)	Flashover distance A(mm)	
		3 times of rated current	4 times of rated current
CZ0-1000/10	660	300	350
CZ0-1500/10	660	450	500

Electrical life of main contact should not be less than 5000 times when it is under condition of rated voltage, 2.5 times of rated current, time constant 0.0075S, operating frequency 60times/h

Refer to table 2 for making and breaking capacity of auxiliary contact of contactor:

Rated current of auxiliary contact	Rated control capacity	Rated working voltage	Making and breaking condition			Test period
			Voltage (V)	Current(A)	COSΦ or T(ms)	
A	Pe(VA)	Ue(V)				times
10	1000	AC220 AC380	1.1Ue	1.1x16le	0.15	50
10	90	DC110 DC220	1.1Ue	1.1x16le	50	20

Table:  $le=Pe/Ue$

### CZ0-1000/10,1500/10 Series DC Contactor

Rated current of auxiliary contact	Rated control capacity	Rated working voltage	Making condition			Breaking condition			Test period times
			Voltage (V)	Current (A)	COSΦ or T(ms)	Voltage (V)	Current (A)	COSΦ or T(ms)	
10	1000	AC220 AC380	16Ie	Ue	0.15	Ie	Ue	0.2	30
10	90	DC110 DC220	5Ie	Ue	50	Ie	Ue	200	30

Tab: Ie=Pe/Ue

