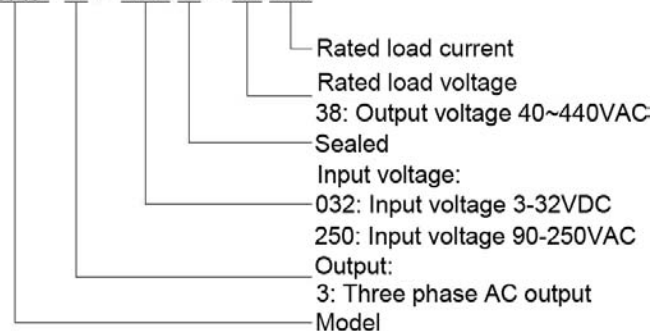


Model and Description



GA6 - 3 / 032 F - 38 40A

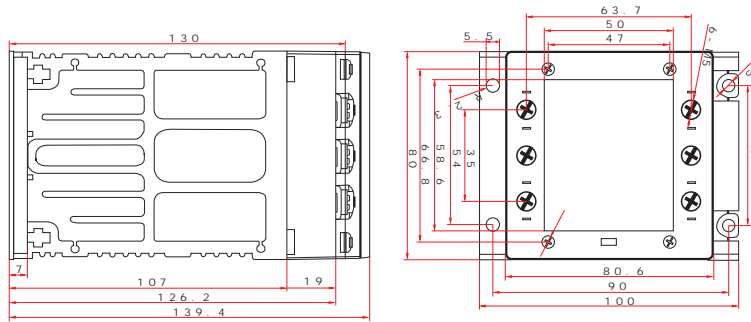


Specification

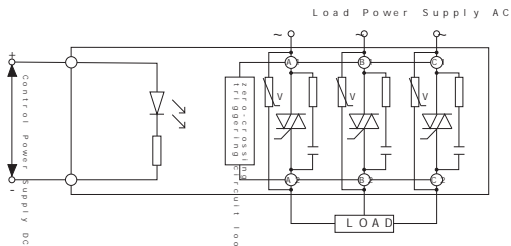
Dimension	115mm*80mm*140mm	
Model	; A6-3/032F-38	GA6-3/250F-38
Description	Three phase SSR(Input DC, Output AC)	Three phase SSR(Input AC, Output AC)
Control voltage	032: 3-32VDC	250: 90-250VAC
Control current	5-25mA	5-25mA
Turn-on voltage	4VDC	90VAC
Turn-off voltage	2VDC	10VAC
Reverse voltage	32VDC	/
Load voltage	38 40-440VAC	
Load current	10A, 15A, 20A, 25A, 30A, 40A	
Instant voltage	38: 1000VAC	
On-state voltage drop	1.6VAC	
On-off time	10mS	
Off-state Leakage current	10mA	
Dielectric strength	2500VAC	
Insulation resistance	500m (500VDC testing)	
Ambient temperature	-30 80	
Indicate methods	LED with red and green colour	
Installation	35mm DIN Rail	
Packing	Inner box	1 PCS/Paper box
	Outer box	10 PCS
	CTN size	400mm*215mm*175mm
	Weight	10A 1000g, 1CTN/10PCS G.W: 11KG, N.W: 10KG, 40A 1068g, 1CTN/10PCS G.W: 12KG, N.W: 11KG, ,

; A! ' Gefies Gold Ghahe Felay

K] f] b[' 8] U[f Ua

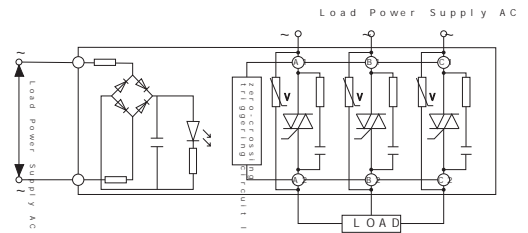


GA6-3/032F-38 A



GA6-3/032F--(10-(0A)

GA6-3/250F-38 A



GA6-3/250F--(10-(0A)