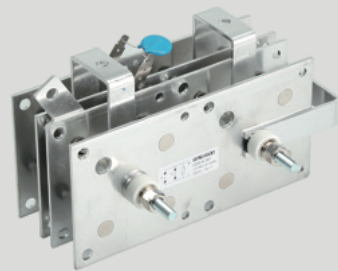
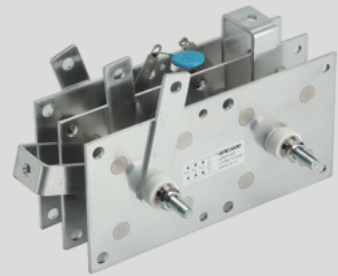


Three / Single phase rectifier bridge



Features

- Rectifier diodes with heatsink
- Compact size
- With thermostat & mov components

Applications

- Air protecting welding machine
- Rectifier circuit design

Technical parameter

Threepahse

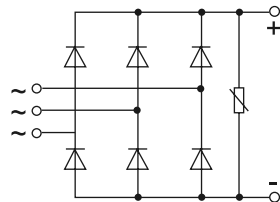
Type	I_O A	V_{RRM}	I_{RRM}	V_{FM}	@ I_{FM}	°C	Outlines
$T_c=100^\circ\text{C}$	6m/s	V	mA	V	A		Fig
UDS-□A-200	200	≥400	≤3	1.3	200	80-85°C	44
UDS-□A-300	300	≥400	≤5	1.3	300	80-85°C	45
UDS-□A-400	400	≥400	≤6	1.3	400	80-85°C	45
UDS-□A-500	500	≥400	≤8	1.3	500	80-85°C	46
UDS-□B-200	200	≥400	≤3	1.3	200	60-65°C	36
UDS-□B-300	300	≥400	≤5	1.3	300	60-65°C	36
UDS-□C-200	200	≥400	≤3	1.3	200	50-55°C	37 38
UDS-□C-300	300	≥400	≤5	1.3	300	50-55°C	37 38
UDS-□C-400	400	≥400	≤6	1.3	400	50-55°C	37 38
UDS-□C-500	500	≥400	≤8	1.3	500	50-55°C	37 38

Singlephase

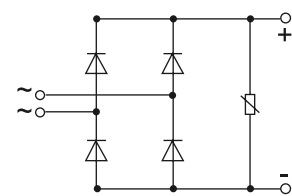
Type	I_O A	V_{RRM}	I_{RRM}	V_{FM}	@ I_{FM}	°C	Outlines
$T_c=100^\circ\text{C}$		V	mA	V	A		Fig
UDQ-□A-200	200	≥400	≤3	1.5	200	50-55°C	41
UDQ-□A-300	300	≥400	≤5	1.5	300	50-55°C	42
UDQ-□A-400	400	≥400	≤6	1.5	400	50-55°C	42
UDQ-□A-500	500	≥400	≤8	1.5	500	50-55°C	43
UDQ-□C-200	200	≥400	≤3	1.5	200	50-55°C	40
UDQ-□C-300	300	≥400	≤5	1.5	300	50-55°C	40
UDQ-□C-400	400	≥400	≤6	1.5	400	50-55°C	40

Circuit configurations

UDS



UDQ



Three / Single phase rectifier bridge

Outlines

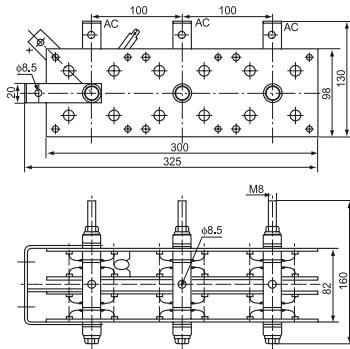


Fig 35

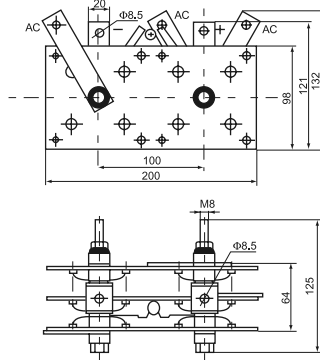


Fig 36

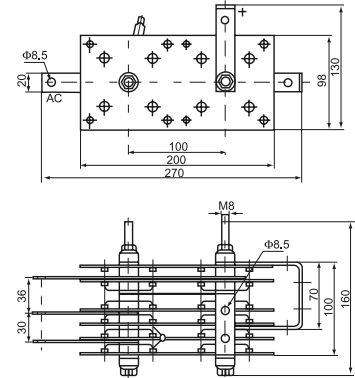


Fig 37

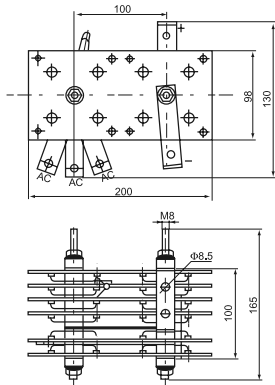


Fig 38

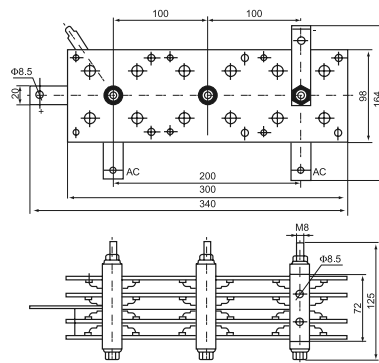


Fig 39

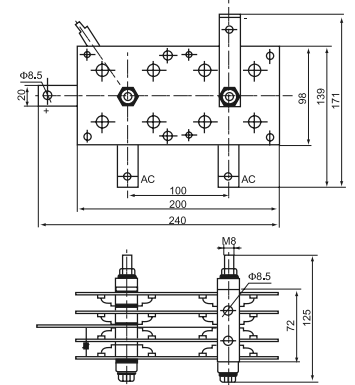


Fig 40

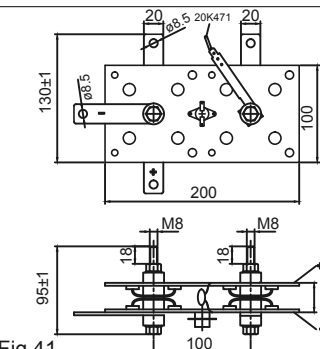


Fig 41

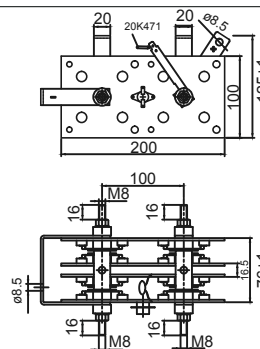


Fig 42

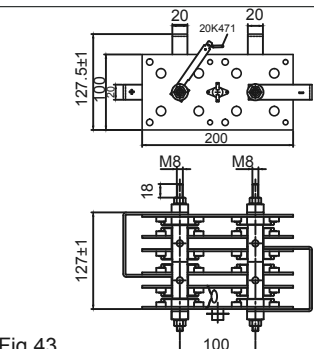


Fig 43

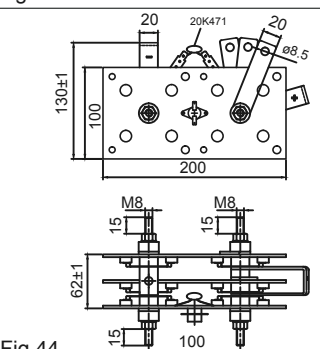


Fig 44

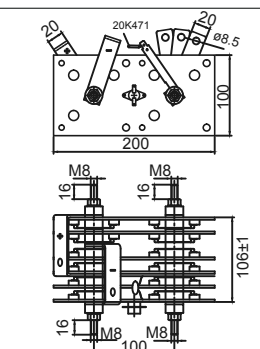


Fig 45

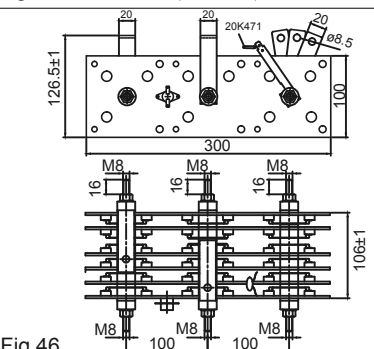


Fig 46